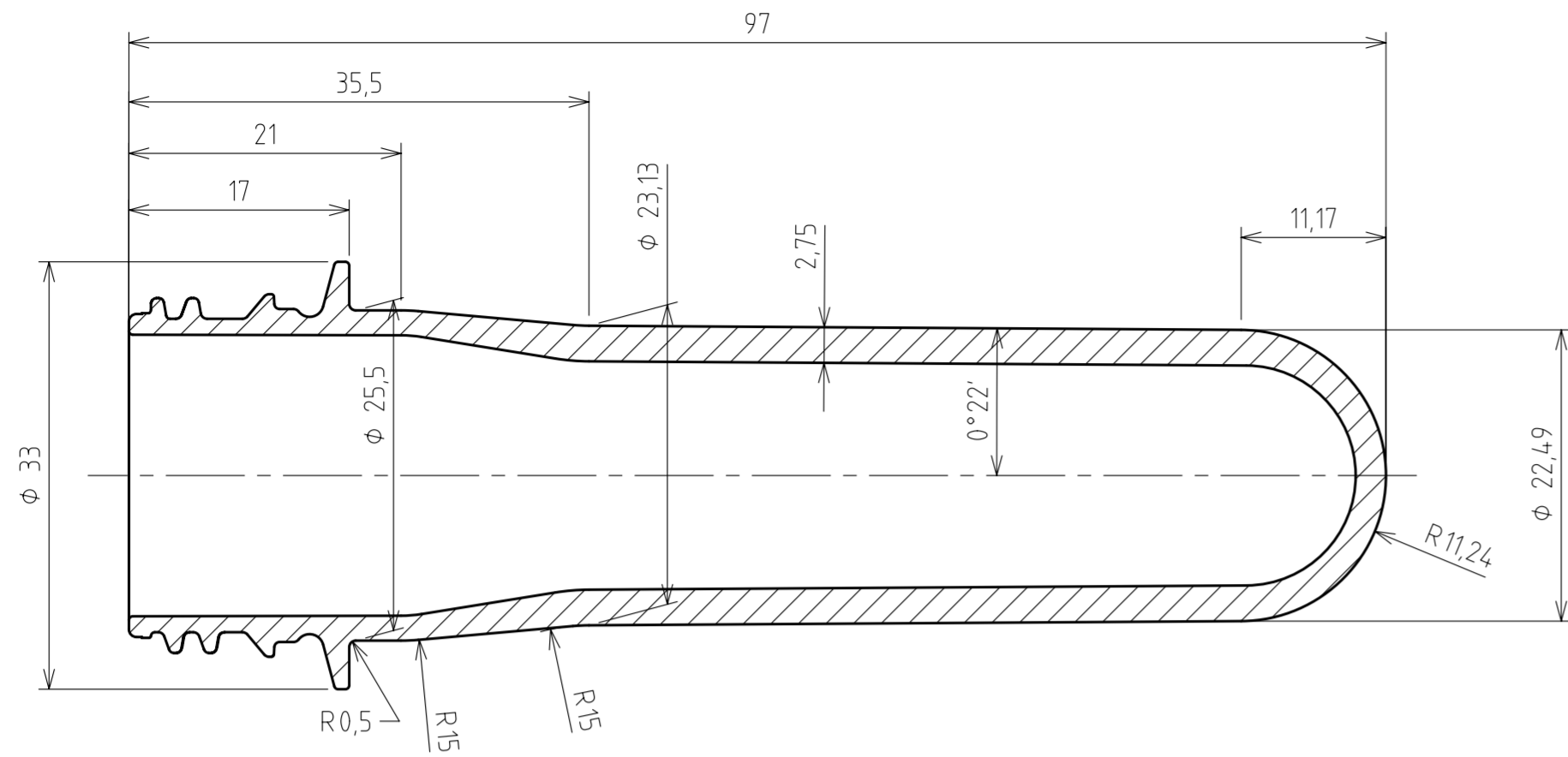
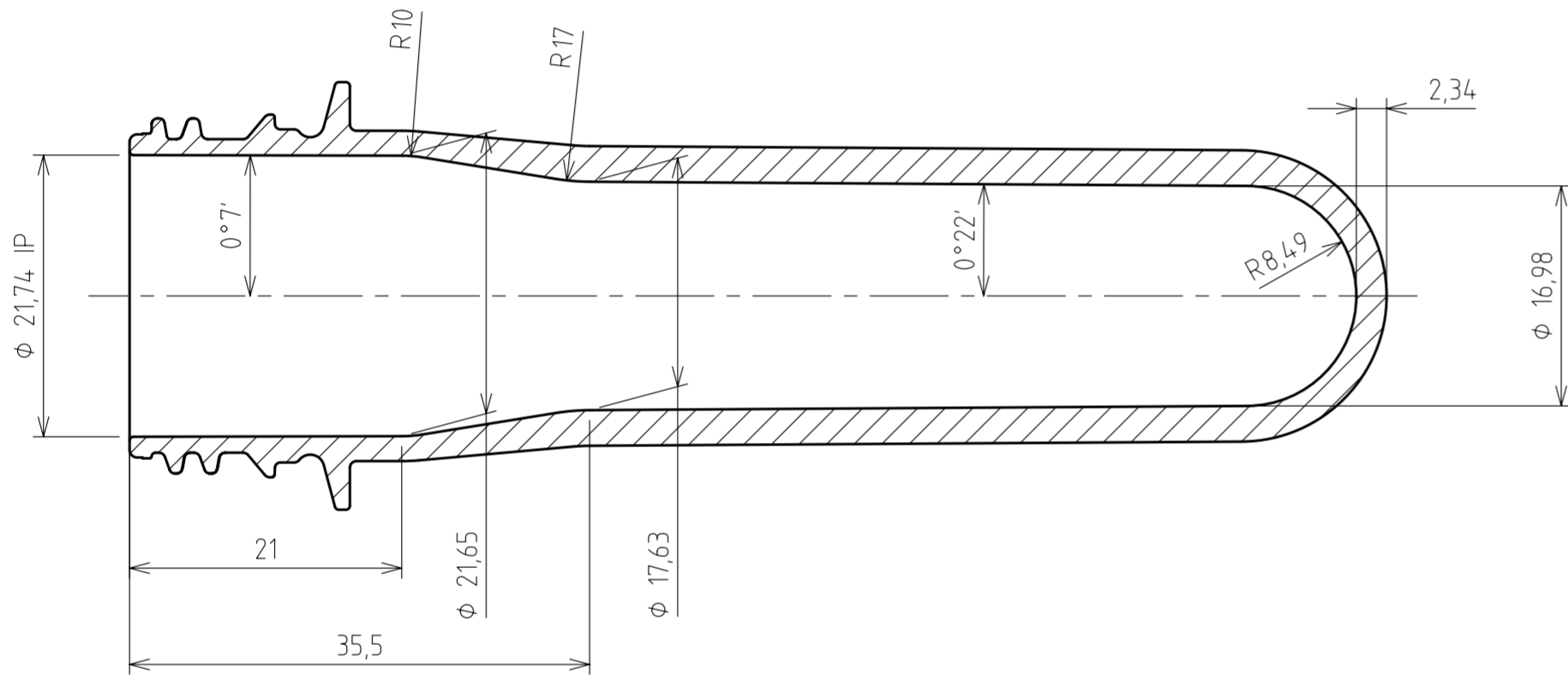


CAVITY SIDE

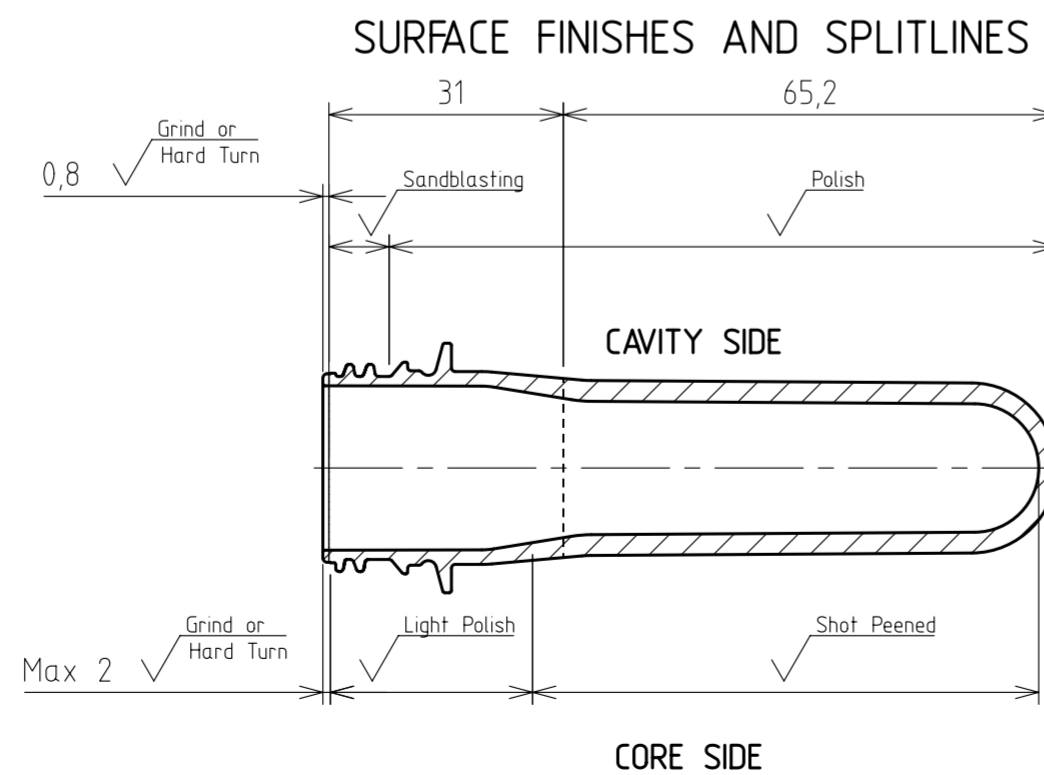


SECTION A-A SCALE 2:1

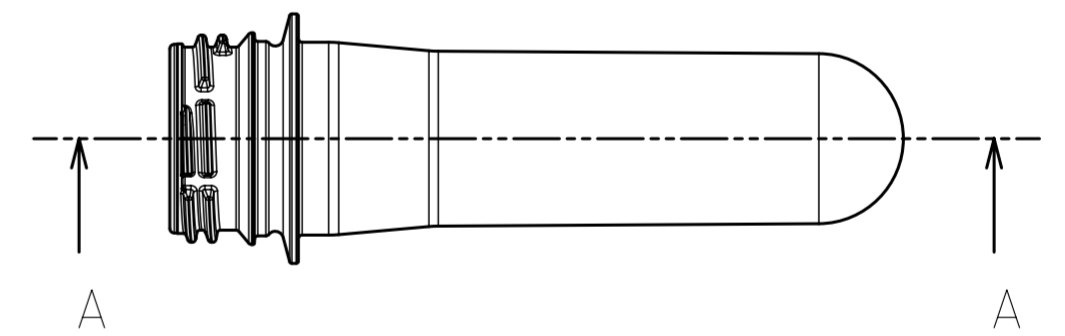
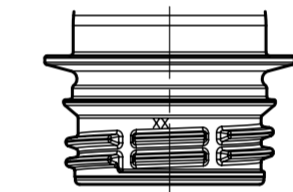
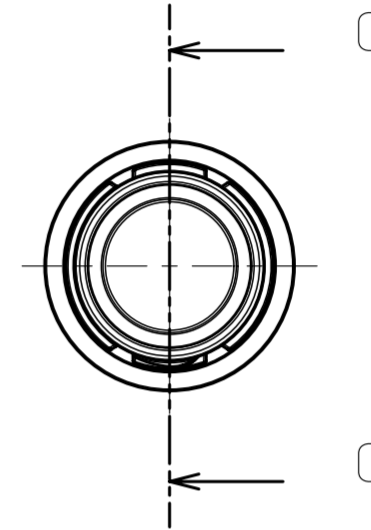
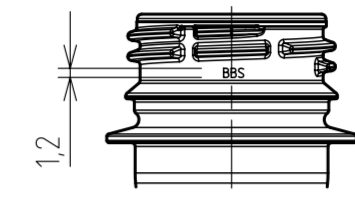
CORE SIDE



SECTION C-C SCALE 1:1



XX = Cavity Number  
BBS XX  
Customer Logo Scale 2:1



NOTES:

- 1) NECK FINISH WEIGHT 3,8g
- 2) THE FINISH COMPLY WITH DWG: N000051\_86
- 3) DENSITY FOR WEIGHT CALCULATION 1,335g/cm<sup>3</sup>
- 4) IP = INTERSECTION POINT

DESCRIPTION: 28mm PCO 1881 NECK FINISH 21,5g PREFORM		NOTES:
	SCALE: <b>1:1</b>	
	MATERIAL: PET	
<b>SIPA</b>		Date: 28/12/2016 DRAWING N°: PN004509_00
Drawn: N. ZARDINI Checked: T. PIZZINAT Approved: T. PIZZINAT		

CONFIDENTIAL