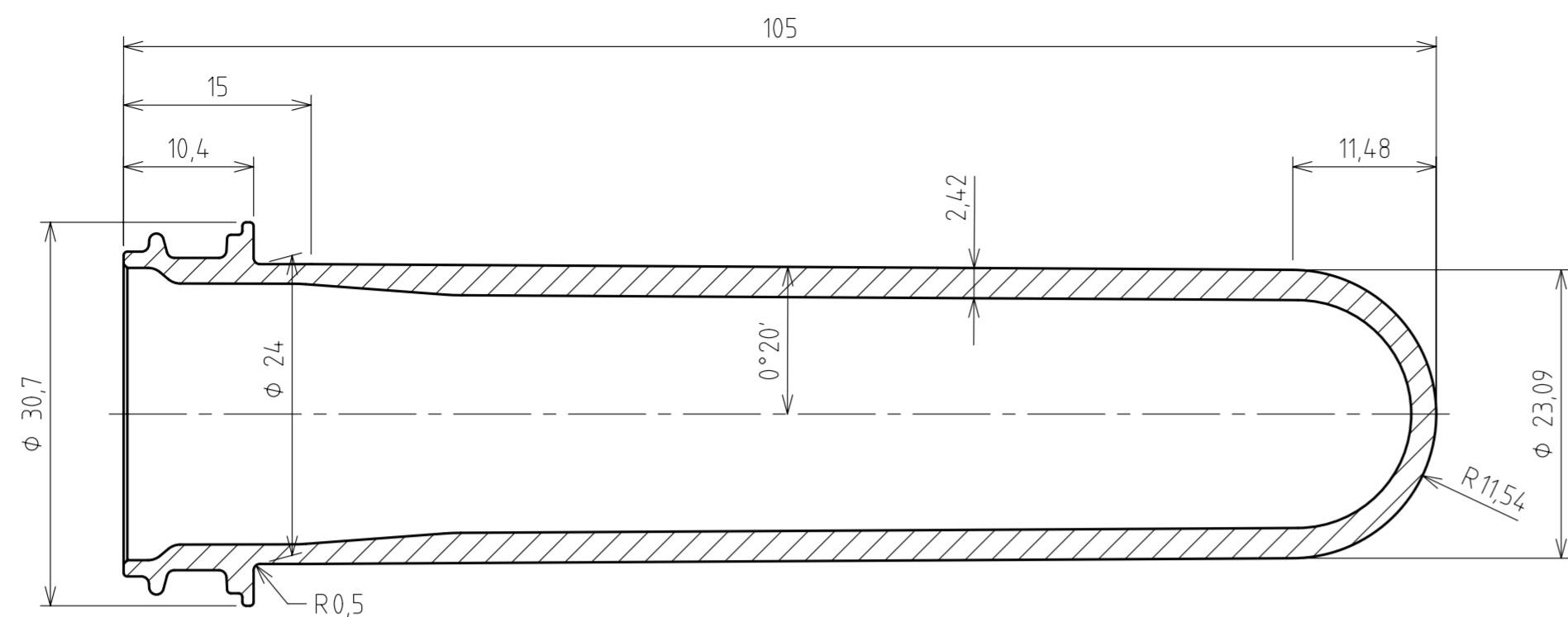
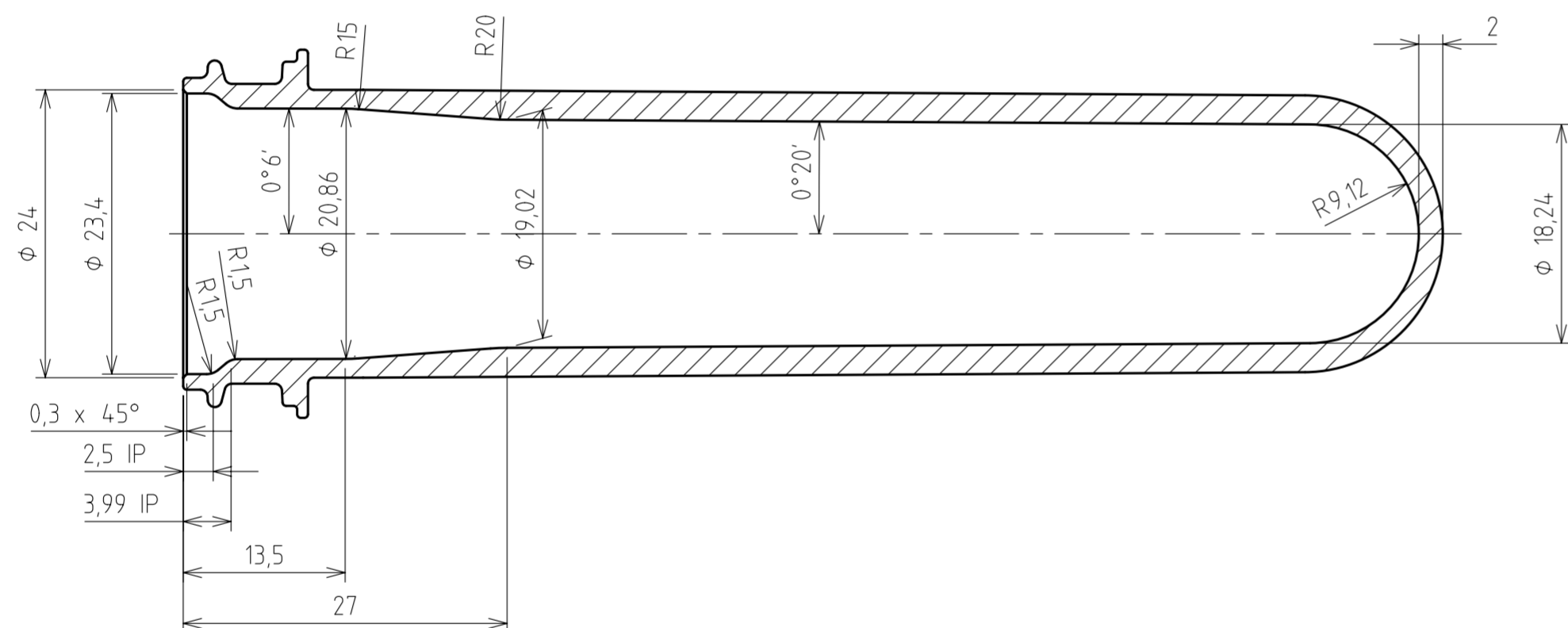


CAVITY SIDE

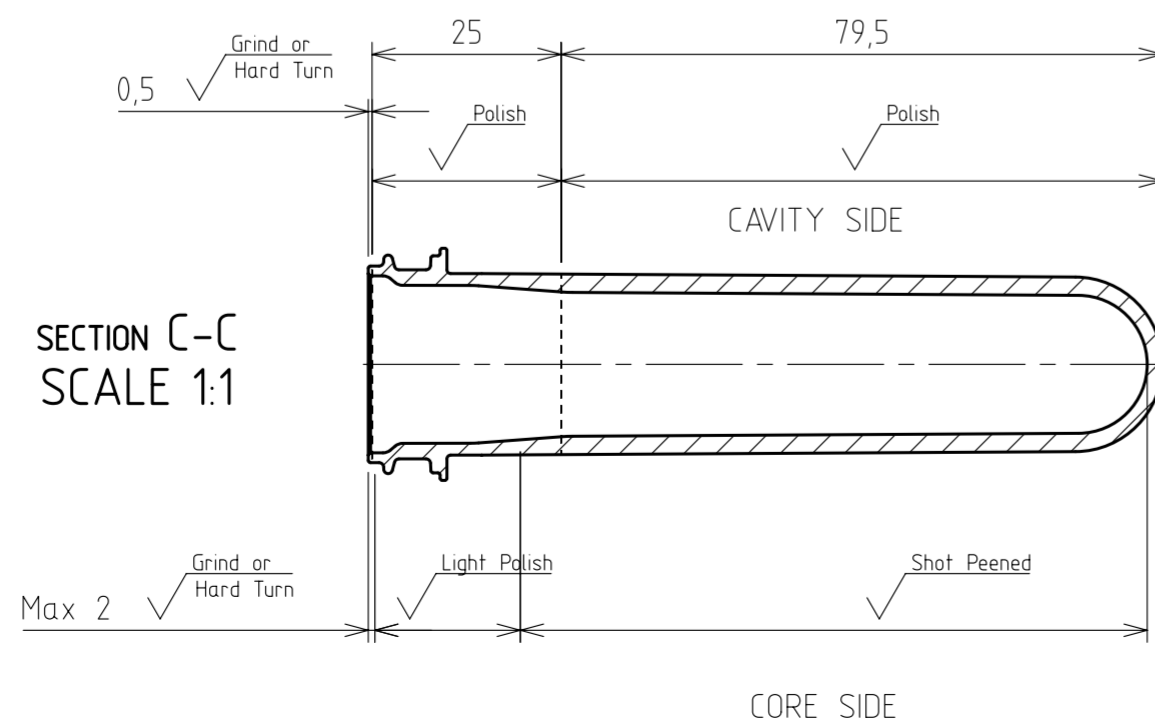


SECTION A-A SCALE 2:1

CORE SIDE



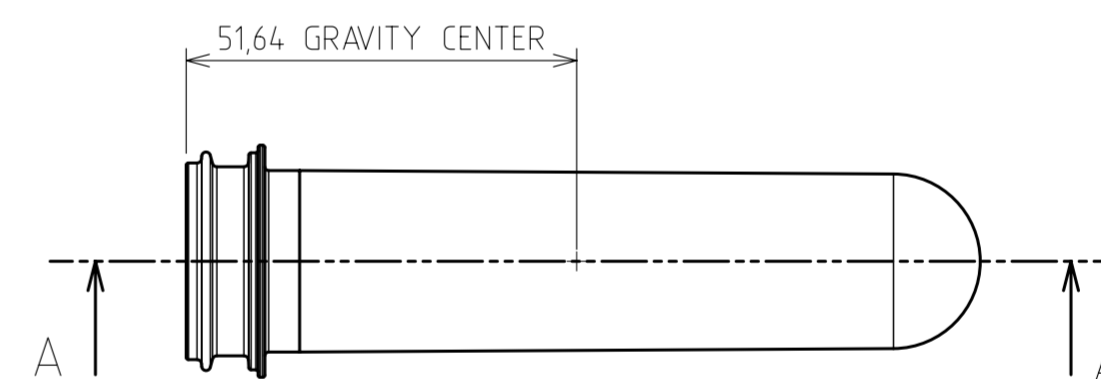
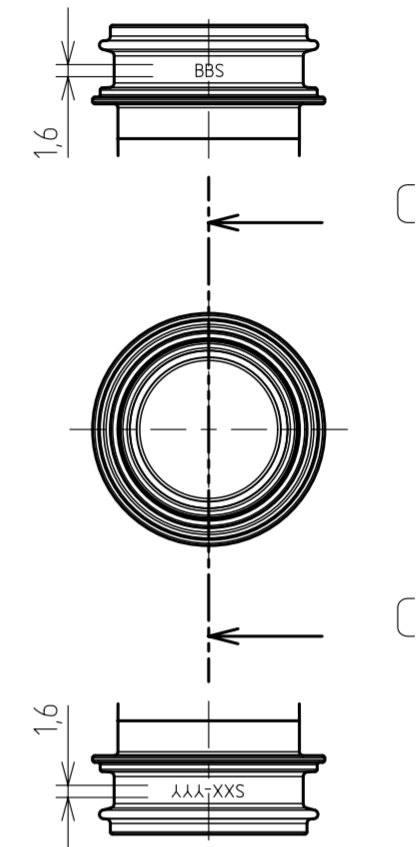
SURFACE FINISHES AND SPLITLINES



YYY = Production Lot Number

XX = Cavity Number

BBS  
Customer Logo Scale 2:1



NOTES:

- 1) NECK FINISH WEIGHT 2,6g
- 2) THE FINISH COMPLY WITH DWG: 31.1.16.000
- 3) DENSITY FOR WEIGHT CALCULATION 1,335g/cm<sup>3</sup>
- 4) IP = INTERSECTION POINT

DESCRIPTION: 29mm PET-563-A (NUOVA SIRMA) NECK FINISH 21,8g PREFORM	SCALE: 1:1	NOTES:
	MATERIAL: PET	
<b>SIPA</b>		Date: 30/01/2017 Drawn: M. MANUNTA Checked: T. PIZZINAT Approved: D. ZANETTE
		DRAWING N°: PN004506_02

CONFIDENTIAL