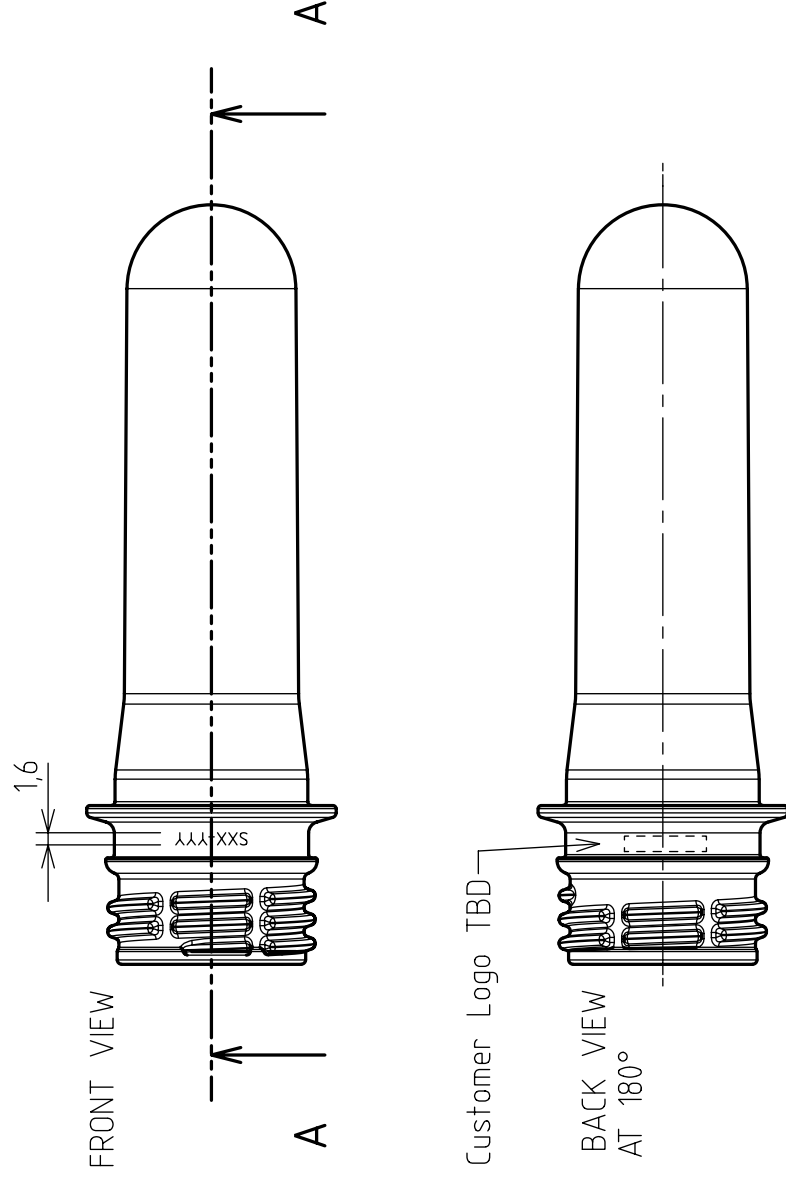


SECTION A-A  
SCALE 2:1

YYY = Production Lot Number  
XX = Cavity Number  
SXX-YYY

Customer Logo Scale 2:1

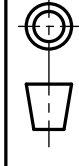


NOTES:

- 1) NECK FINISH WEIGHT 5,0 g
- 2) THE FINISH COMPLY WITH SIPA DRWG. 310.49.000
- 3) DENSITY FOR WEIGHT CALCULATION 1.335 g/cm<sup>3</sup>

DESCRIPTION:

28mm PCO BPF-D  
NECK FINISH  
28,0g PREFORM



NOTES:

SCALE:  
1:1 (2:1)

MATERIAL:  
SIPA PET

THIS DRAWING IS PROPERTY OF SIPA S.p.A. AND IS NOT TO BE USED OR REPRODUCED BY UNAUTHORIZED PERSONS

**SIPA**  
PLASTIC PACKAGING SYSTEM  
VITTORIO VENETO (TV) - ITALY-

Date: 14/09/2004  
Drawn: M. MANUNTA  
Checked: L. MARCAGENT  
Approved: L. MARCAGENT

DRAWING N°:  
PN000100\_00