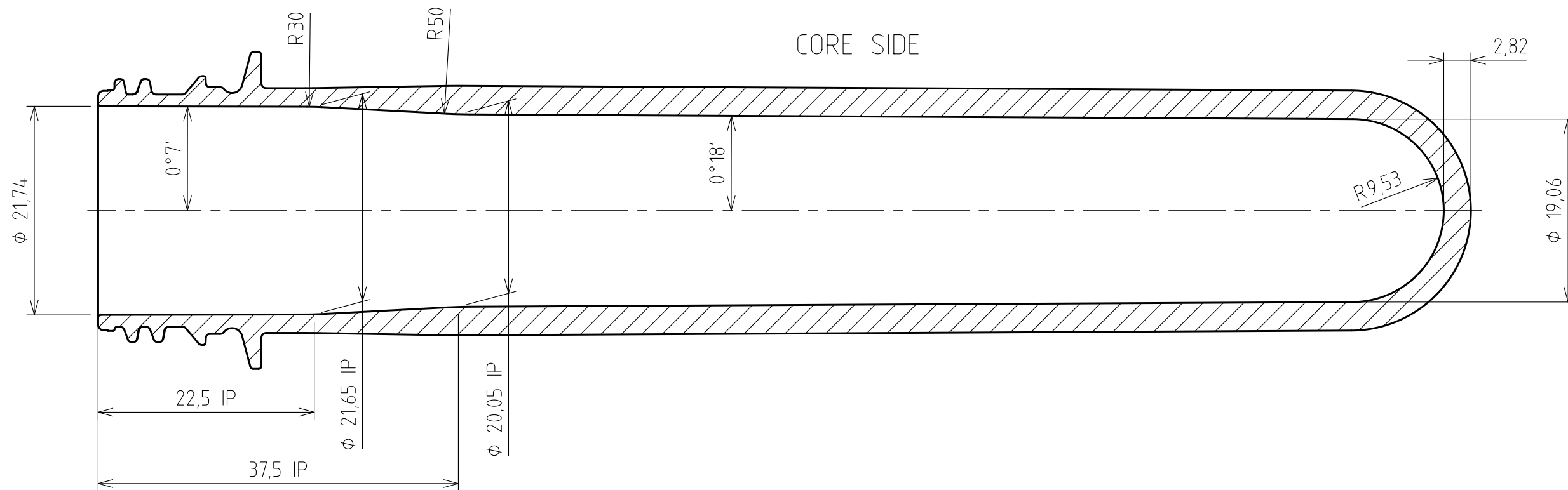
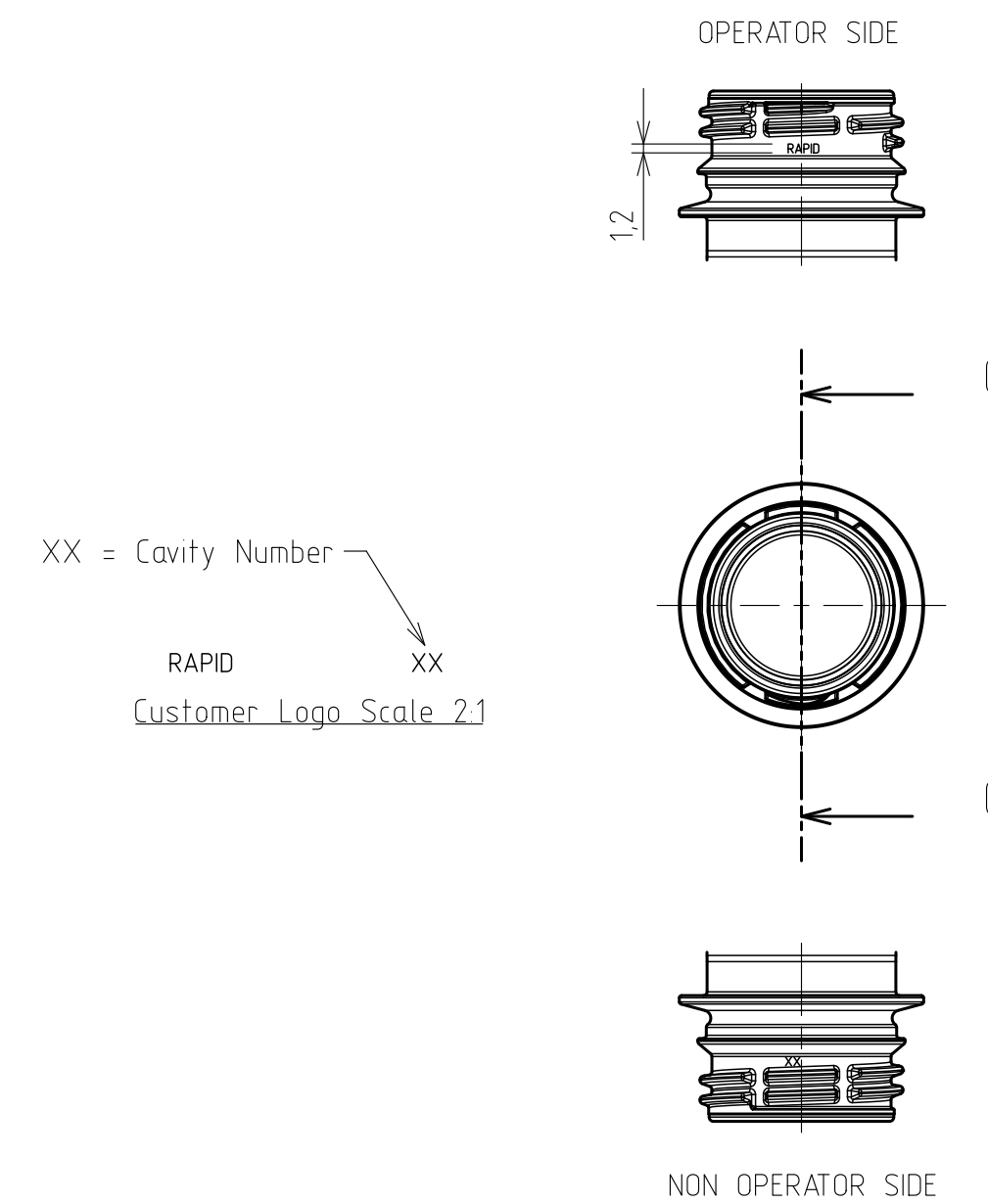
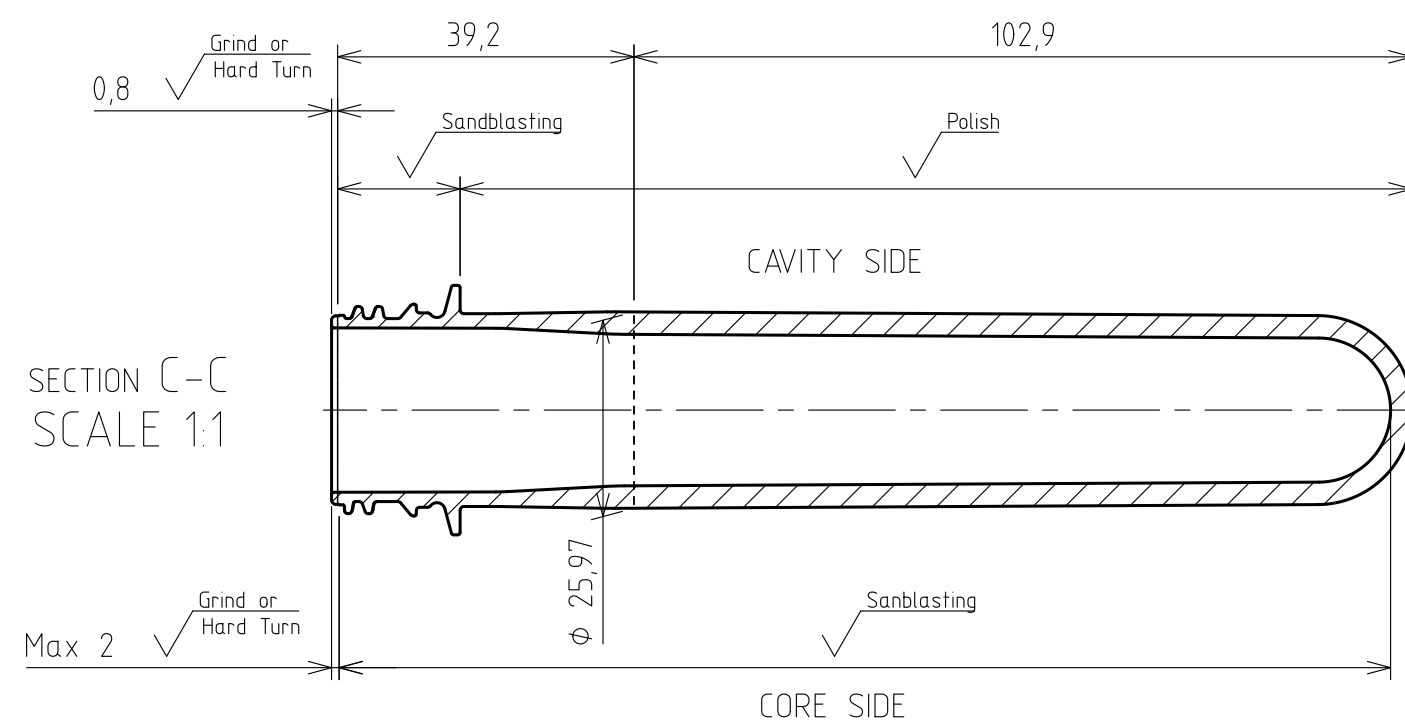


SECTION A-A SCALE 2:1



SURFACE FINISHES AND SPLITLINES



NOTES:

- 1) NECK FINISH WEIGHT 3,8g
- 2) THE FINISH COMPLY WITH DWG: N000051\_86
- 3) DENSITY FOR WEIGHT CALCULATION 1,335g/cm<sup>3</sup>
- 4) IP = INTERSECTION POINT

DESCRIPTION: 28mm PCO 1881 NECK FINISH 37,5g PREFORM	SCALE: 1:1	NOTES:  Untoleranced dimensions ref. to DIN 16901/130
	MATERIAL: PET	

**SIPA** PLASTIC PACKAGING SYSTEM  
VITTORIO VENETO (TV) - ITALY -

Date: 28/11/2014  
Drawn: N. ZARDINI  
Checked: F. AZZALINI  
Approved: F. AZZALINI

DRAWING N°:  
PN003702\_00

CONFIDENTIAL