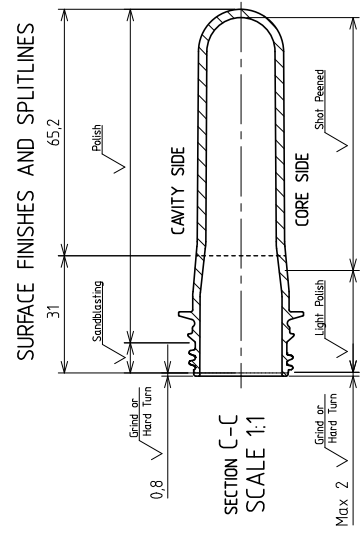
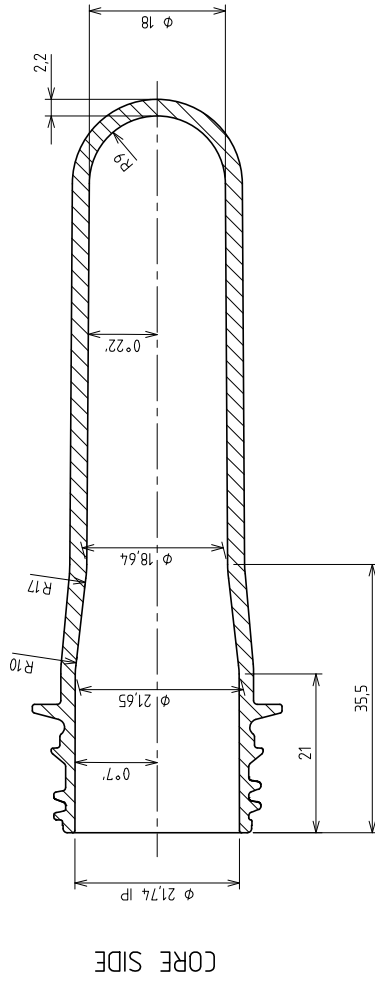
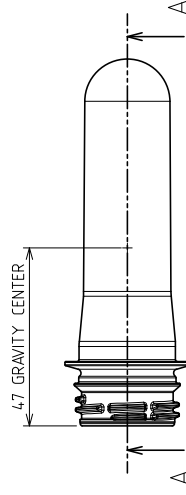
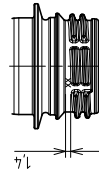
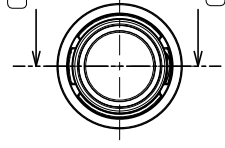
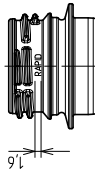


SECTION A-A SCALE 2:1



XX = Cavity Number
RAPID XX
 Customer_Logo_Scale_2.J



NOTES:

- 1) NECK FINISH WEIGHT 3.8g
- 2) THE FINISH COMPLY WITH DWG: N000051.86
- 3) DENSITY FOR WEIGHT CALCULATION 1,335g/cm³
- 4) IP = INTERSECTION POINT

DESCRIPTION:	28mm PCO 1881
NECK FINISH	19,1g PREFORM
MATERIAL:	PET

DATE:	19-Mar-2020
DRAWING N°:	PN006137_01
DRAWN:	Bertolus M
CHECKED:	Manzoni M
APPROVED:	Pizzardi J

CONFIDENTIAL