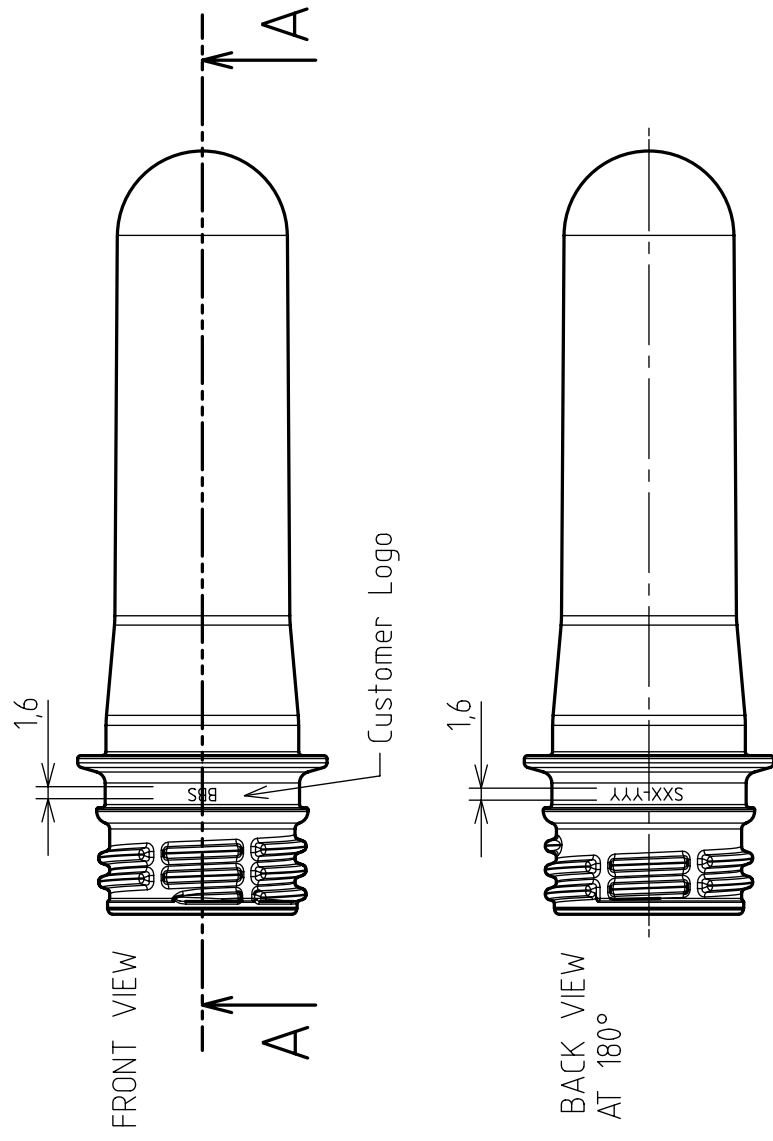


SECTION A-A  
SCALE 2:1

YYY = Production Lot Number  
 XX = Cavity Number  
 Customer Logo

**BBS** **SXX-YYY**  
 Scale 2:1

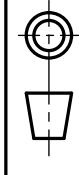


NOTES:

- 1) NECK FINISH WEIGHT 5,0 g
- 2) THE FINISH COMPLY WITH SIPA DRWG. N000013\_93
- 3) DENSITY FOR WEIGHT CALCULATION 1,335 g/cm<sup>3</sup>

DESCRIPTION:

28mm ALCOA PCO BPF/D  
 NECK FINISH VER.93  
 20,0 g PREFORM



NOTES:

SCALE:  
 1:81 (2:1)

MATERIAL:  
 SIPA PET

THIS DRAWING IS PROPERTY OF SIPA S.p.A. AND IS NOT TO BE USED OR REPRODUCED BY UNAUTHORIZED PERSONS

**SIPA**  
 PLASTIC PACKAGING SYSTEM  
 VITTORIO VENETO (TV) - ITALY

Date: 18/07/2006  
 Drawn: T. PIZZINAI  
 Checked: L. MANTOVANI  
 Approved: L. MANTOVANI

DRAWING N°:  
 PN000652\_00