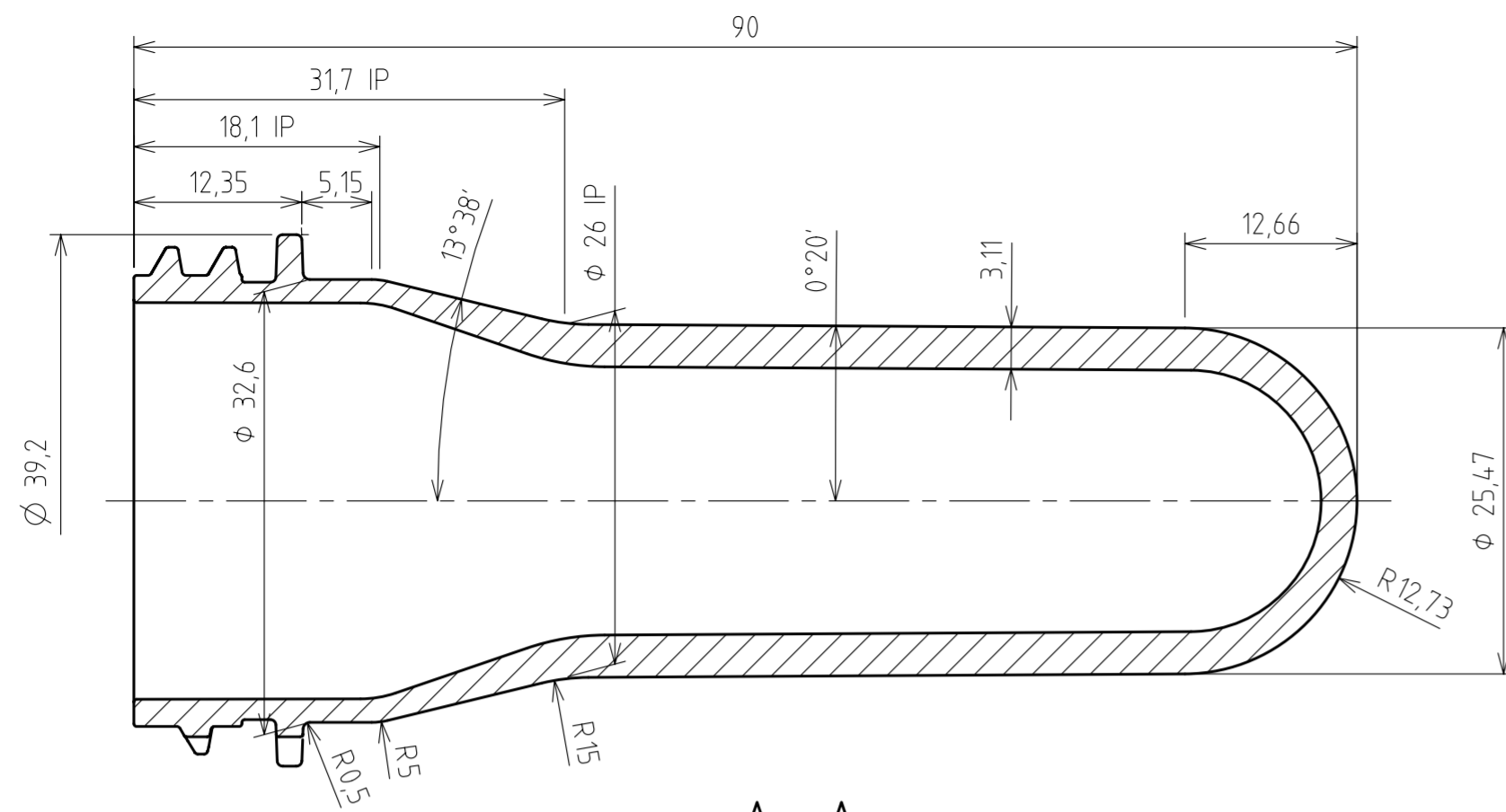
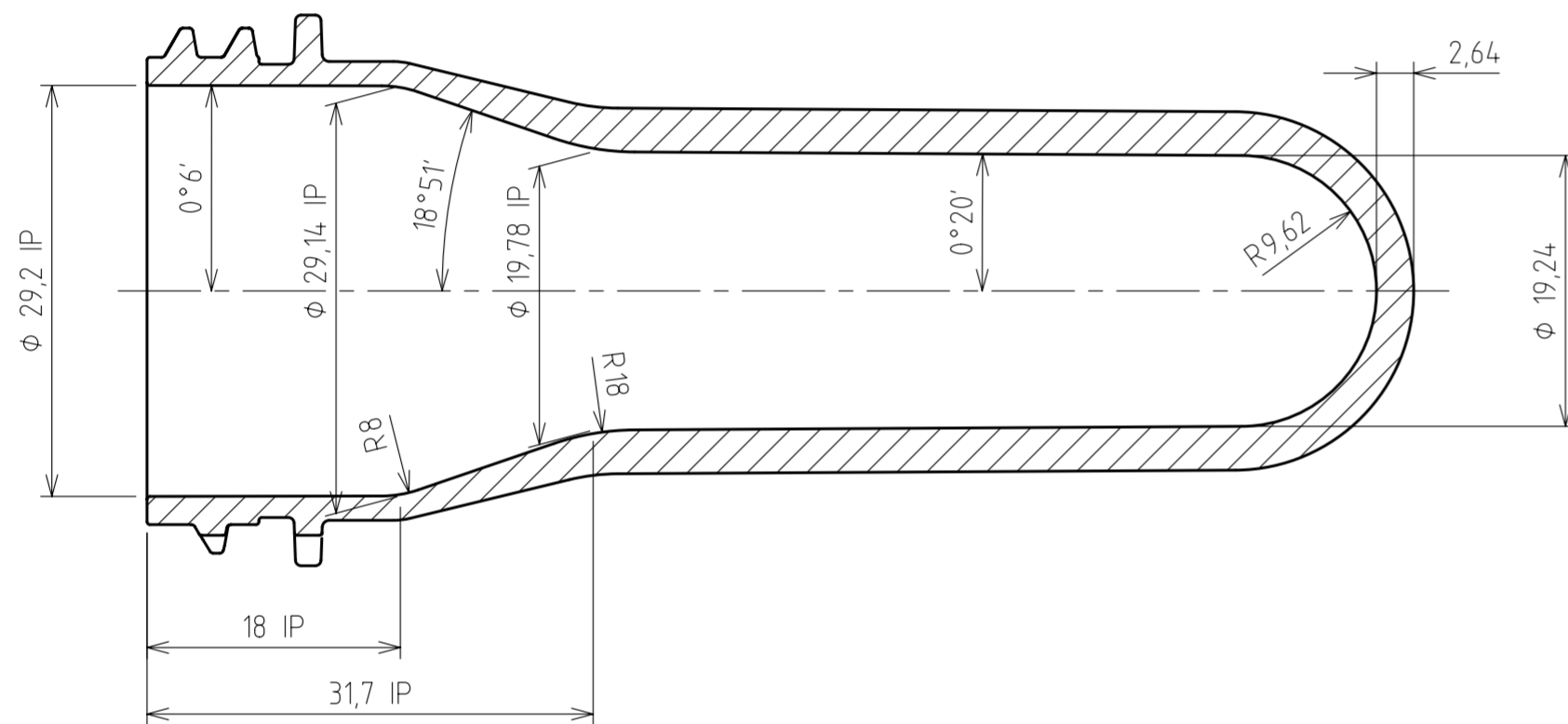


CAVITY SIDE

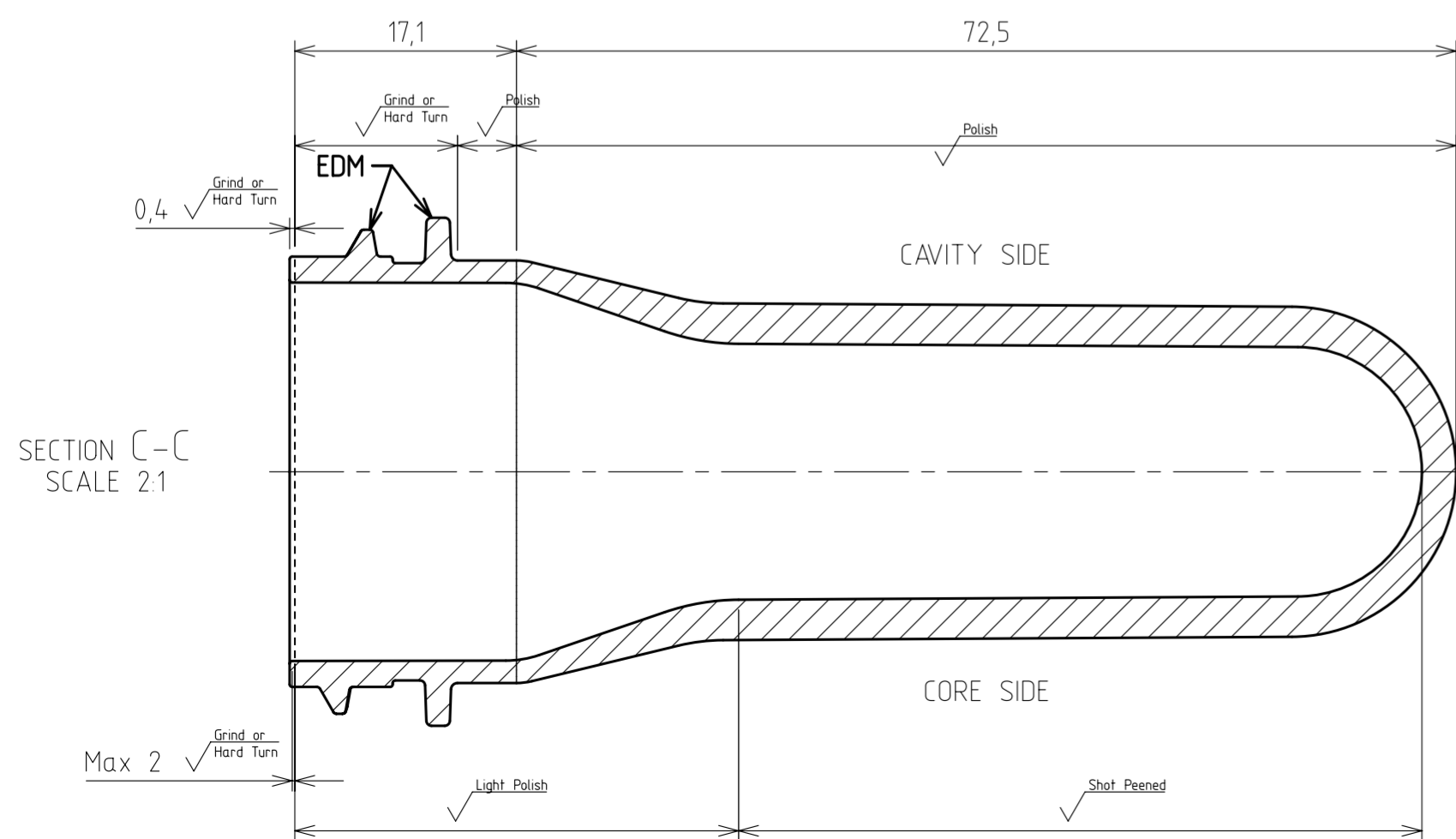


SECTION A-A SCALE 2:1

CORE SIDE



SURFACE FINISHES AND SPLITLINES



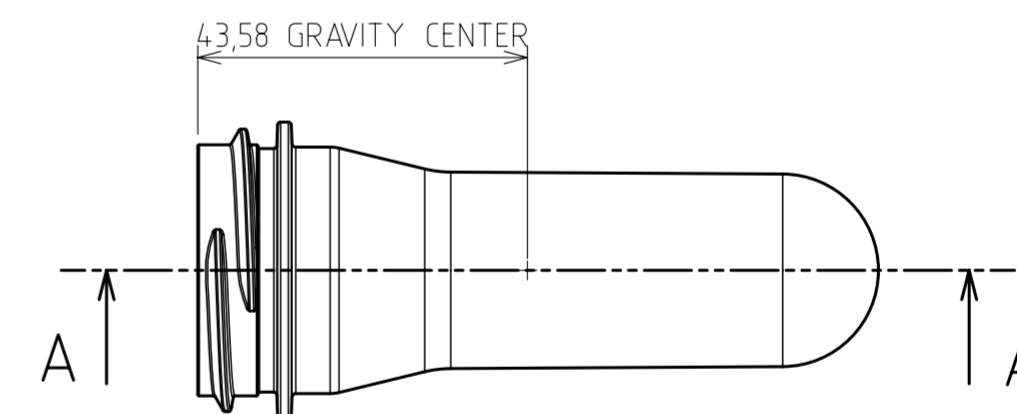
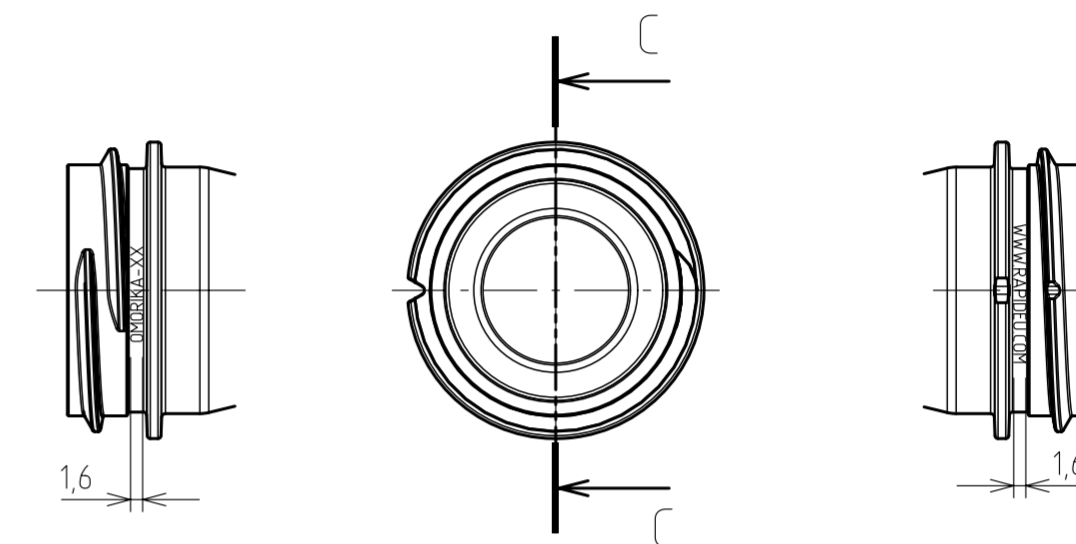
SECTION C-C SCALE 2:1

XX = Cavity Number

OMORIKA-XX

WWW.RAPIDEU.COM

Customer Logo Scale 2:1



NOTES:

- 1) NECK FINISH WEIGHT 4,5g
- 2) THE FINISH COMPLY WITH SIPA DRWG N000083_36
- 3) DENSITY FOR WEIGHT CALCULATION 1,335g/cm³
- 4) IP = INTERSECTION POINT

DESCRIPTION: 38mm NECK FINISH 26,0g PREFORM	SCALE: 1:1	NOTES:
	MATERIAL: PET	
	DATE: 05-Jun-2020 DRAWN: Manunta,M CHECKED: Manunta,M APPROVED: Pizzinat,T	
DRAWING N°: PN006285_04		

CONFIDENTIAL

SIPA