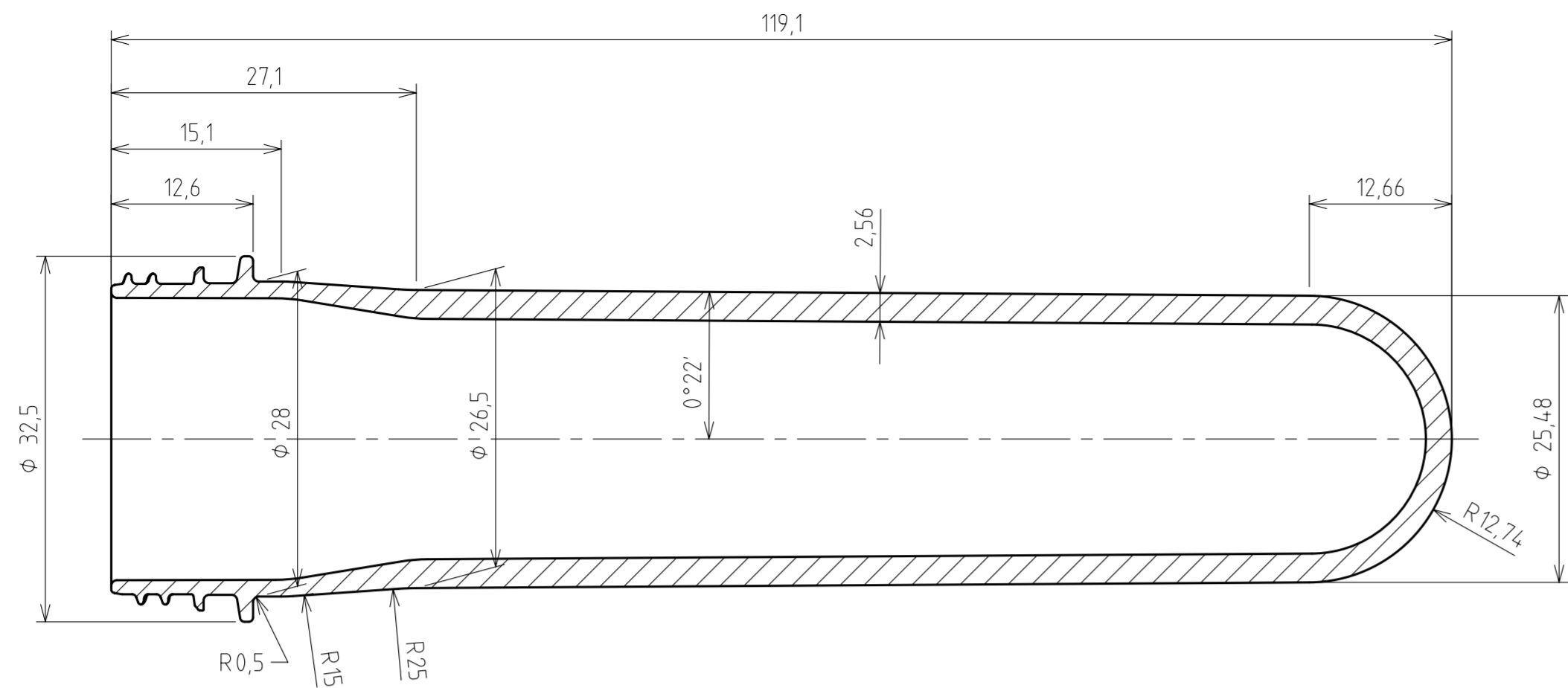
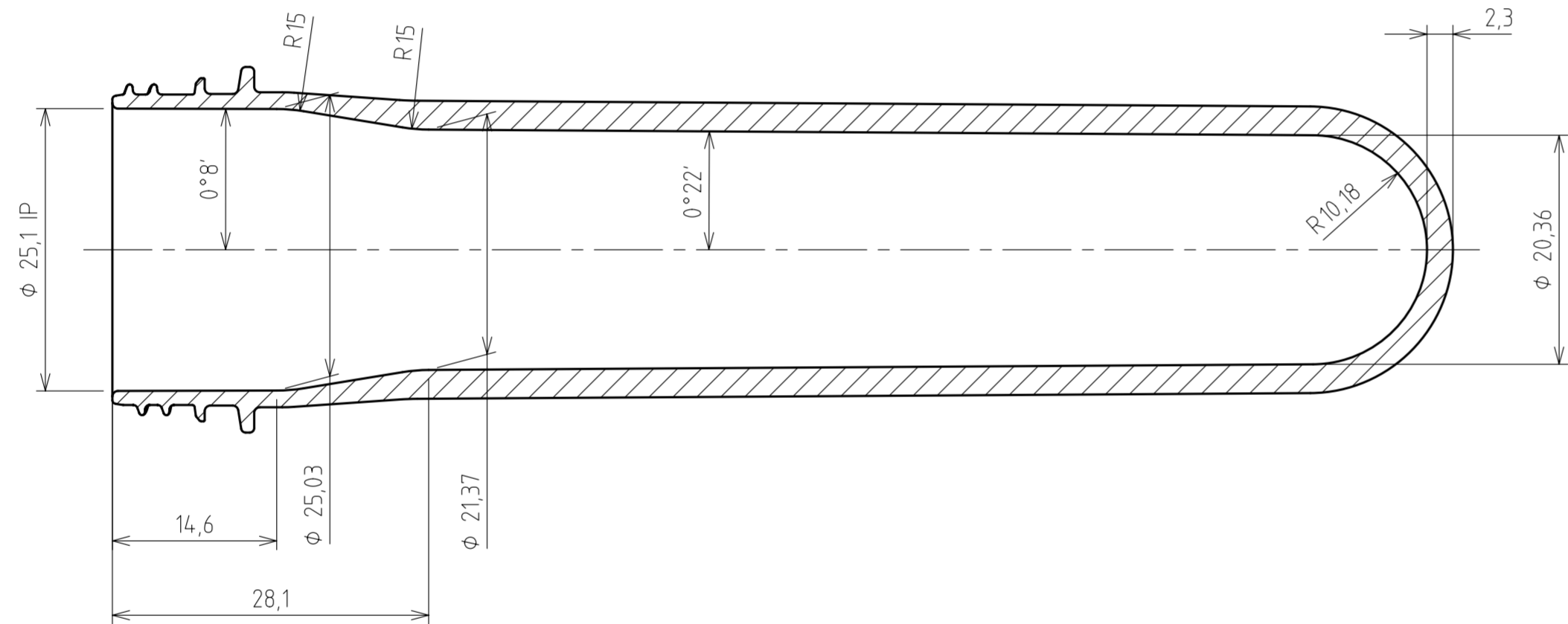


CAVITY SIDE

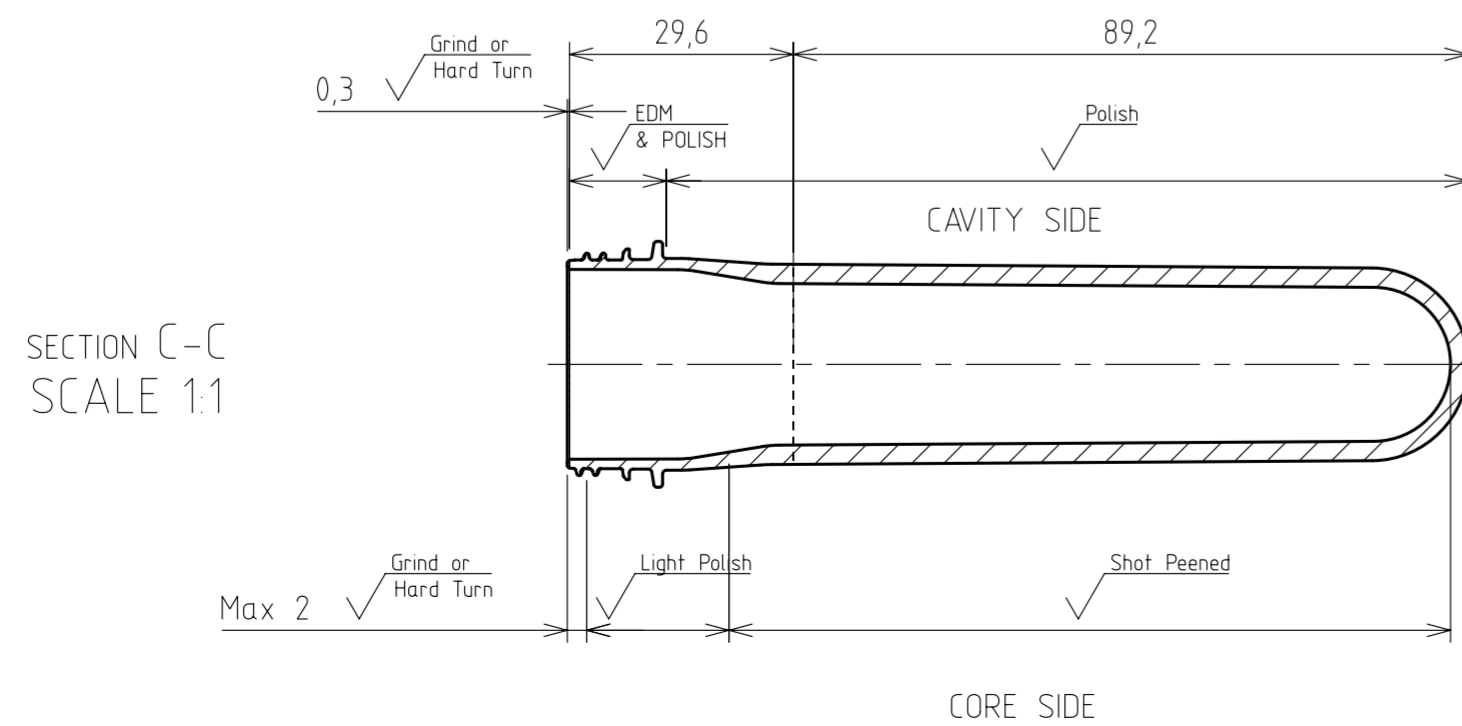


SECTION A-A SCALE 2:1

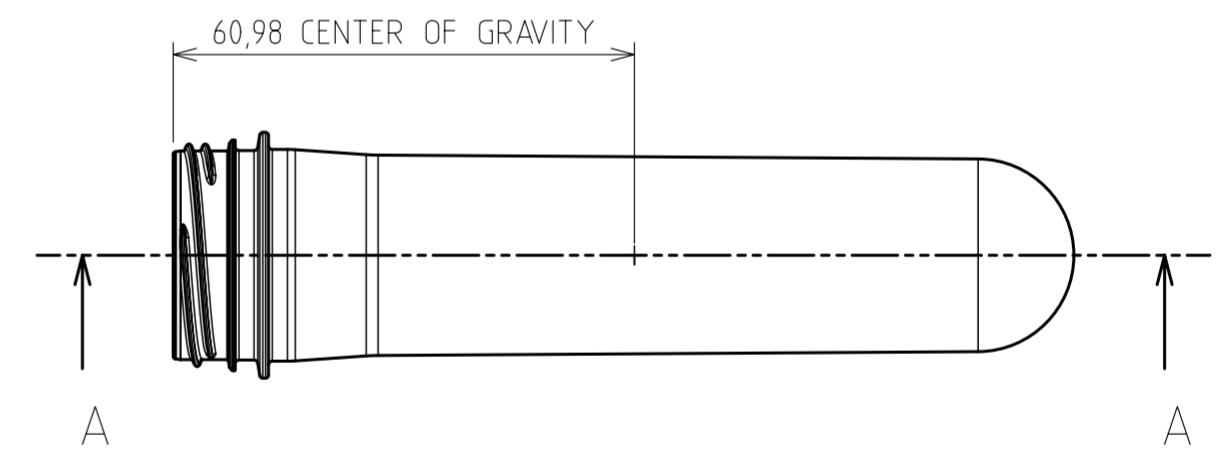
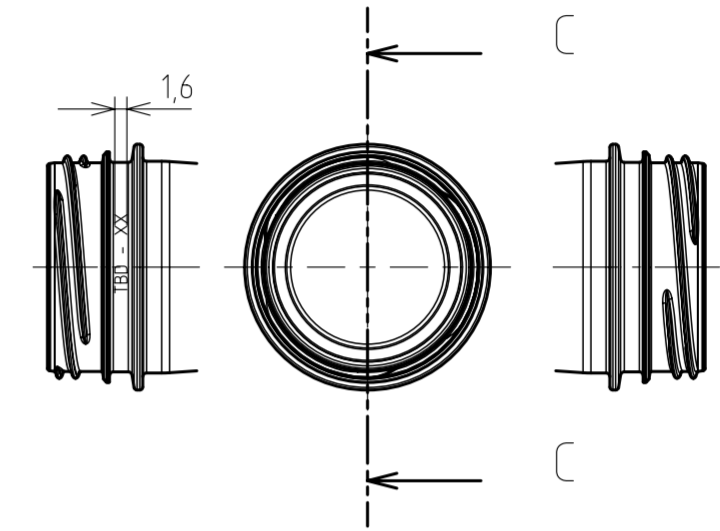
CORE SIDE



SURFACE FINISHES AND SPLITLINES



XX = Cavity Number  
TBD - XX  
Customer Logo Scale 2:1



NOTES:

- 1) NECK FINISH WEIGHT 2,4g
- 2) THE FINISH COMPLY WITH DWG: N000114\_05
- 3) DENSITY FOR WEIGHT CALCULATION 1,335g/cm<sup>3</sup>
- 4) IP = INTERSECTION POINT

DESCRIPTION: 29/25mm SHORTY NECK FINISH 28,0g PREFORM		NOTES:  
	SCALE: 	
	MATERIAL: PET	
		Date: 28/12/2016 Drawn: N. ZARDINI Checked: T. PIZZINAT Approved: T. PIZZINAT
		DRAWING N°: PN004505_00

CONFIDENTIAL