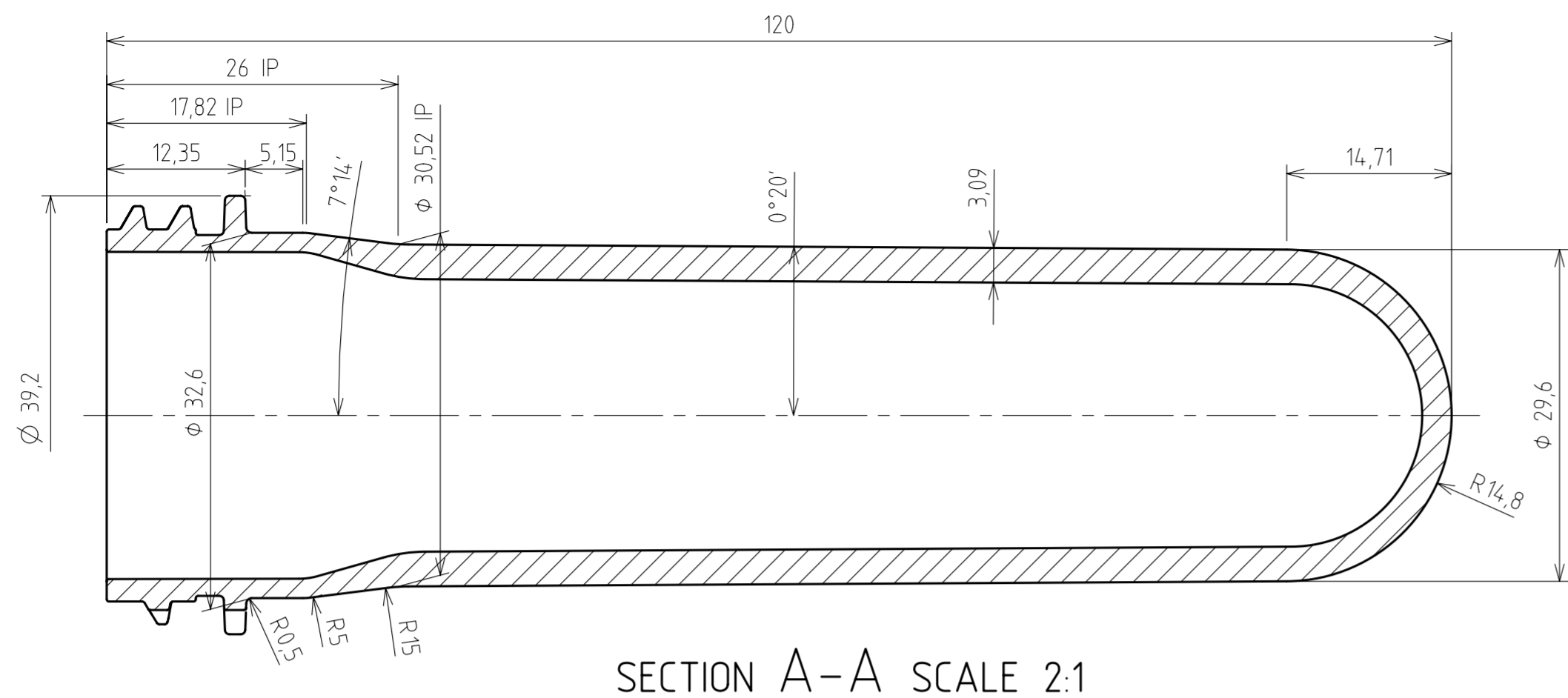
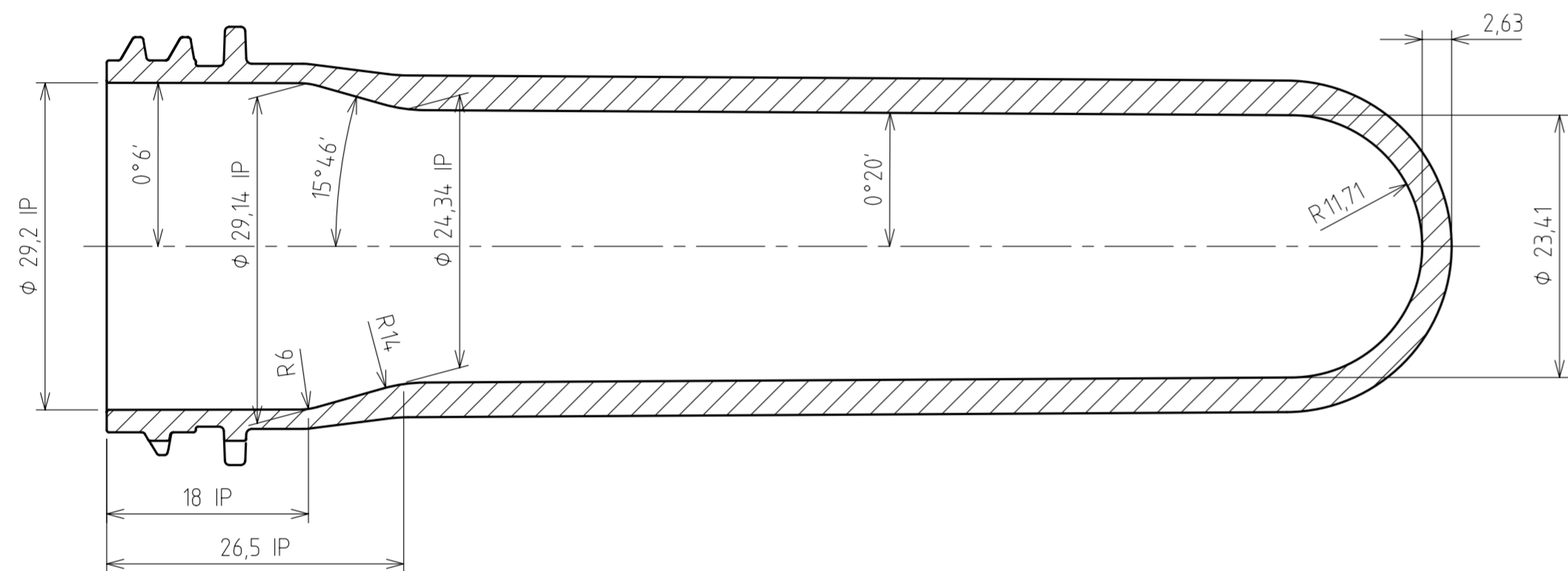


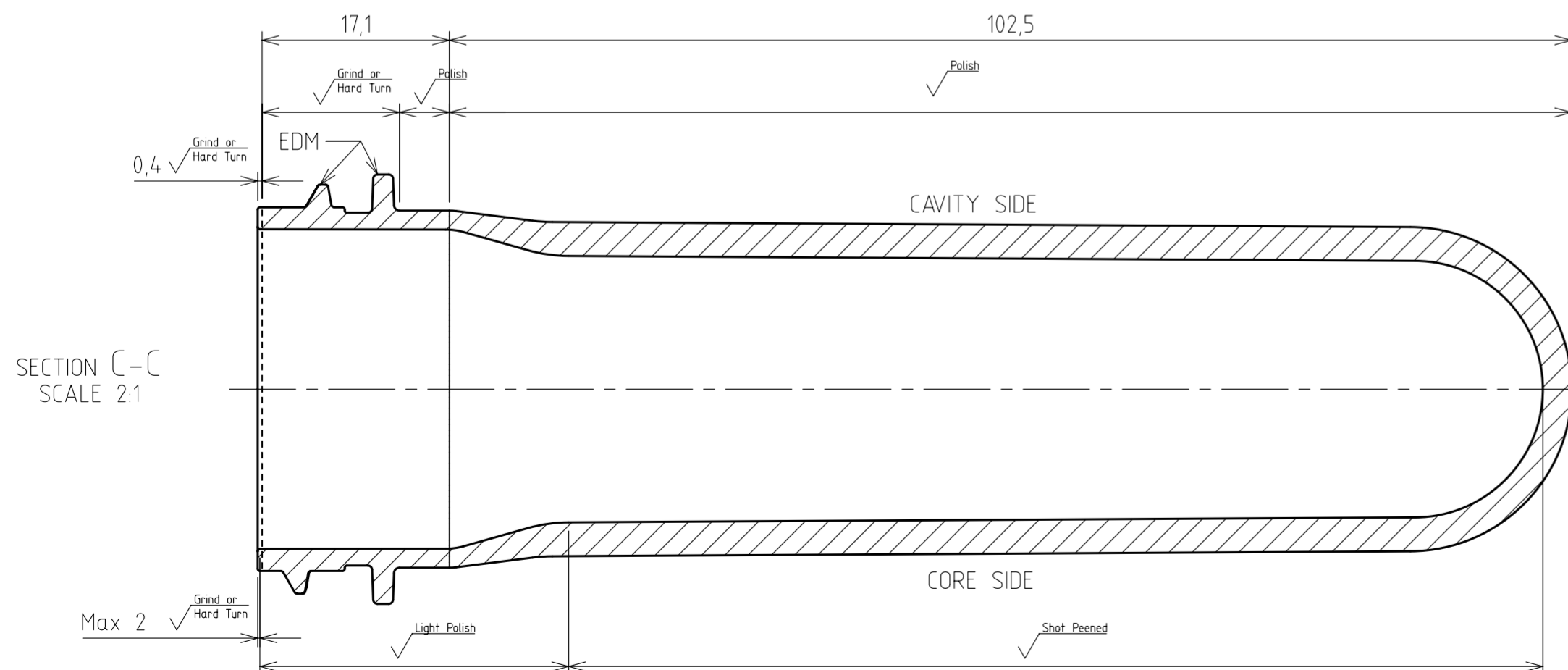
CAVITY SIDE



CORE SIDE



SURFACE FINISHES AND SPLITLINES

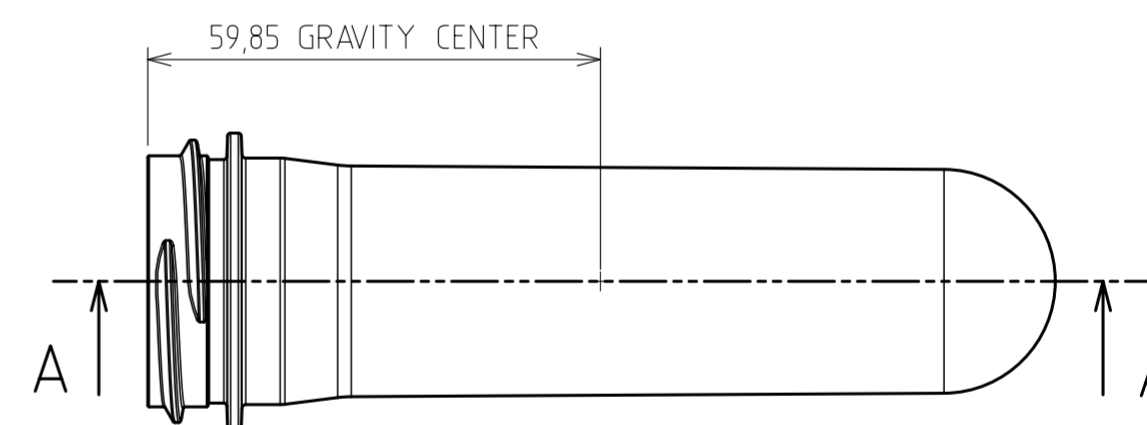
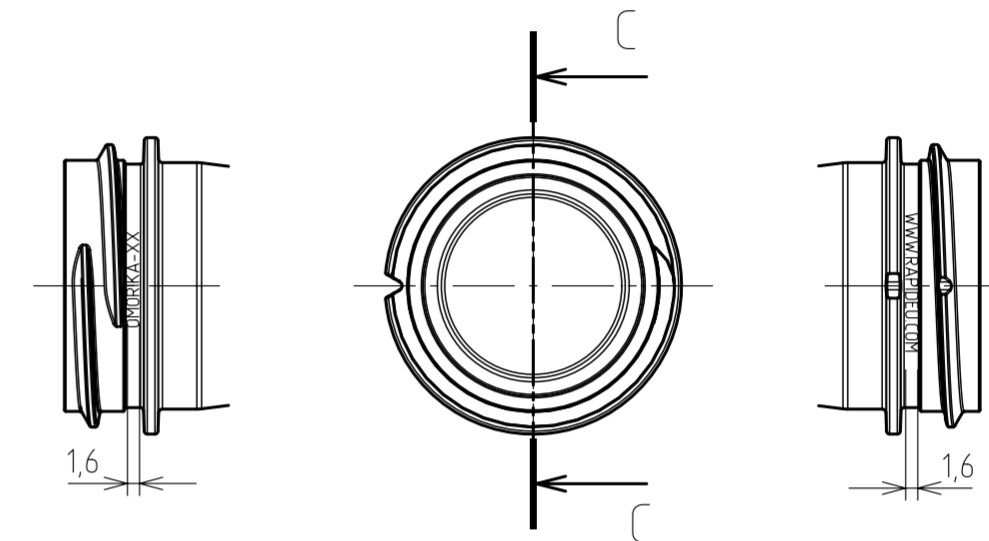


XX = Cavity Number

OMORIKA-XX

WWW.RAPIDEU.COM

Customer Logo Scale 2:1



NOTES:

- 1) NECK FINISH WEIGHT 4,5g
- 2) THE FINISH COMPLY WITH SIPA DRWG N000083_36
- 3) DENSITY FOR WEIGHT CALCULATION 1,335g/cm³
- 4) IP = INTERSECTION POINT

DESCRIPTION: 38mm NECK FINISH 40,0g PREFORM		NOTES:
		SCALE: 1:1
		MATERIAL: PET
		Date: 05-Jun-2020 Drawn: Manunta,M Checked: Manunta,M Approved: Pizzinat,T
		DRAWING N°: PN006286_04

CONFIDENTIAL