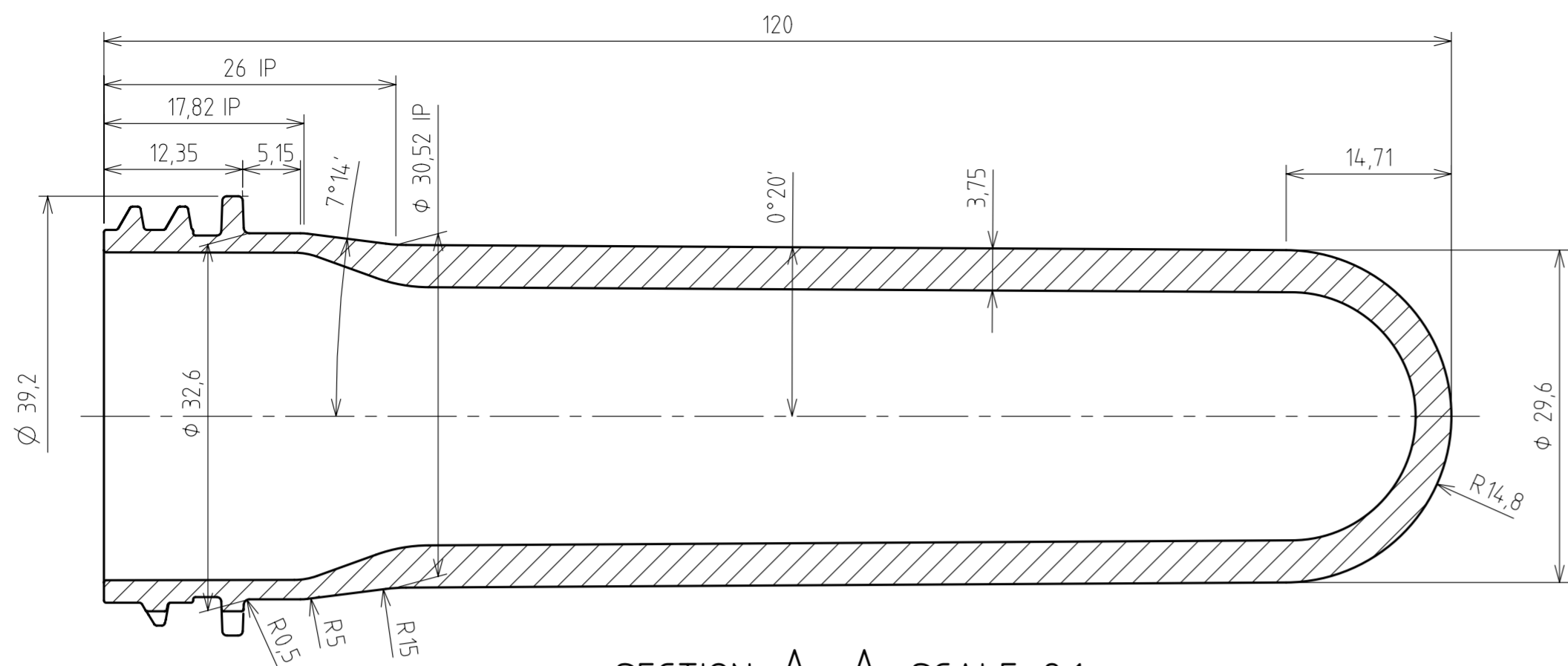
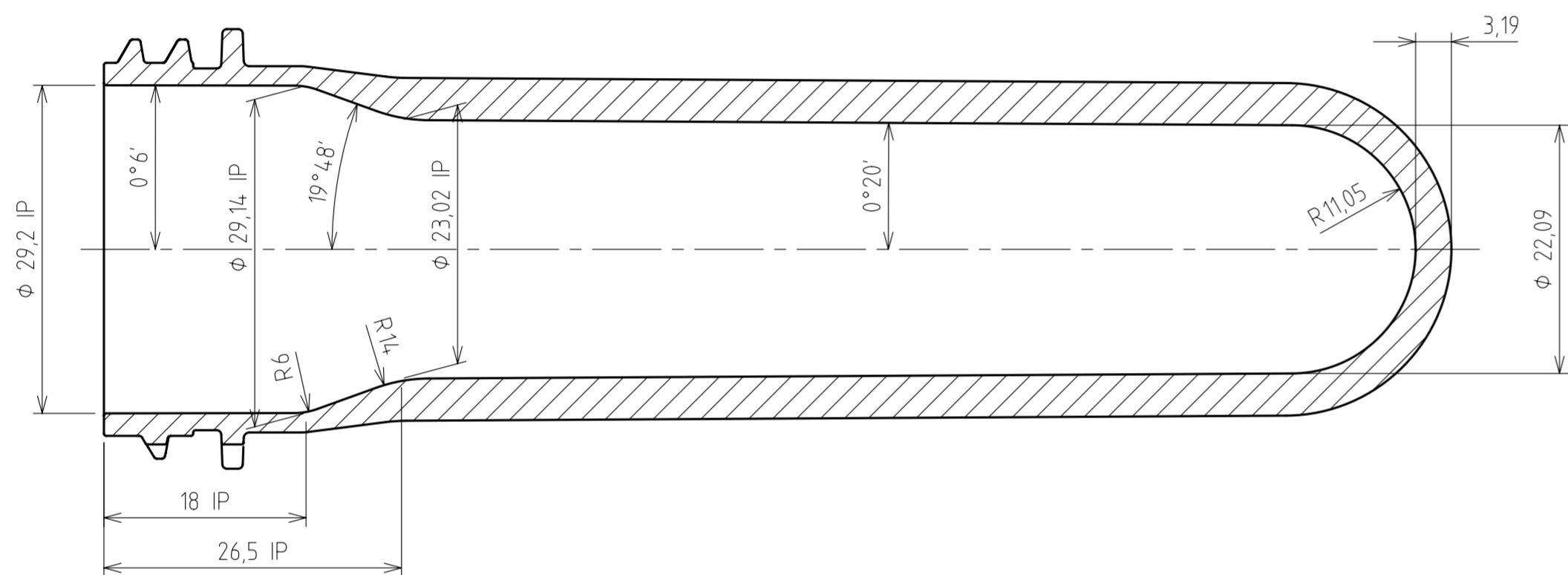


CAVITY SIDE

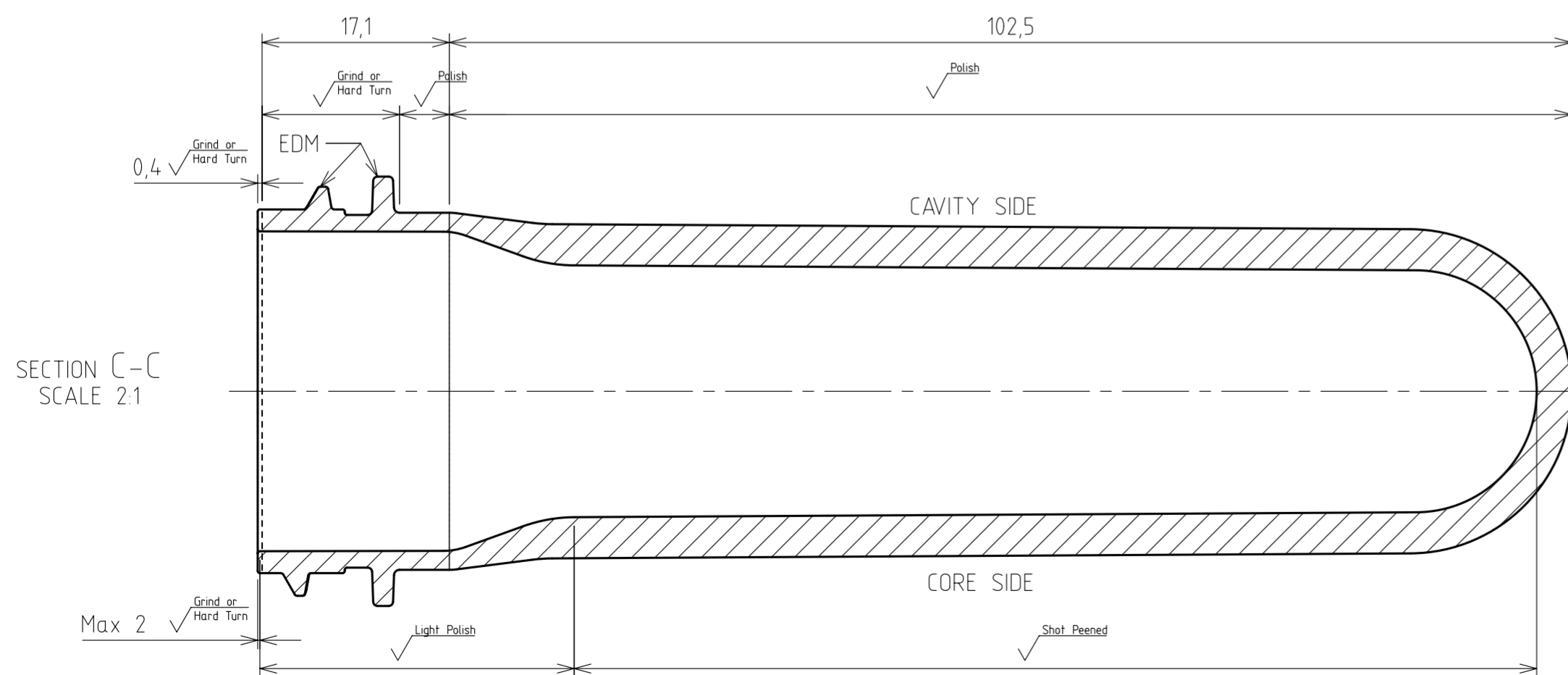


SECTION A-A SCALE 2:1

CORE SIDE



SURFACE FINISHES AND SPLITLINES



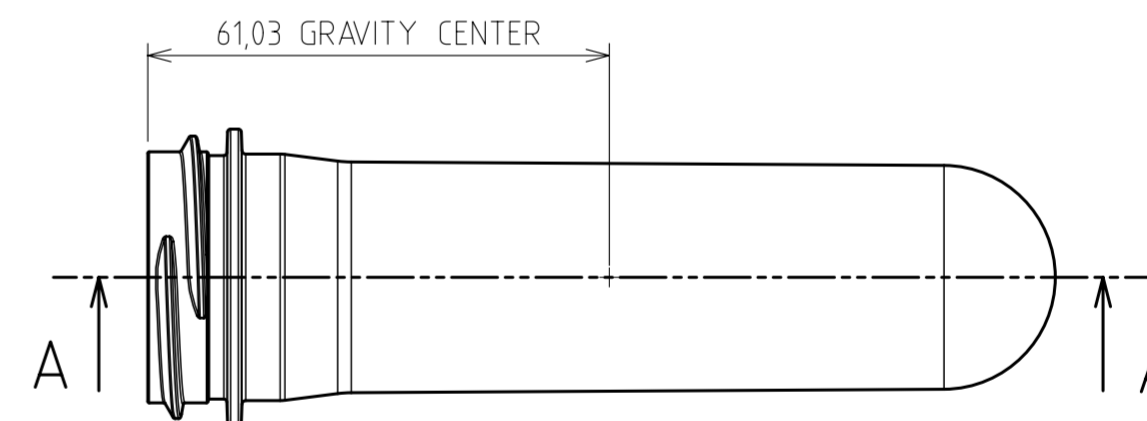
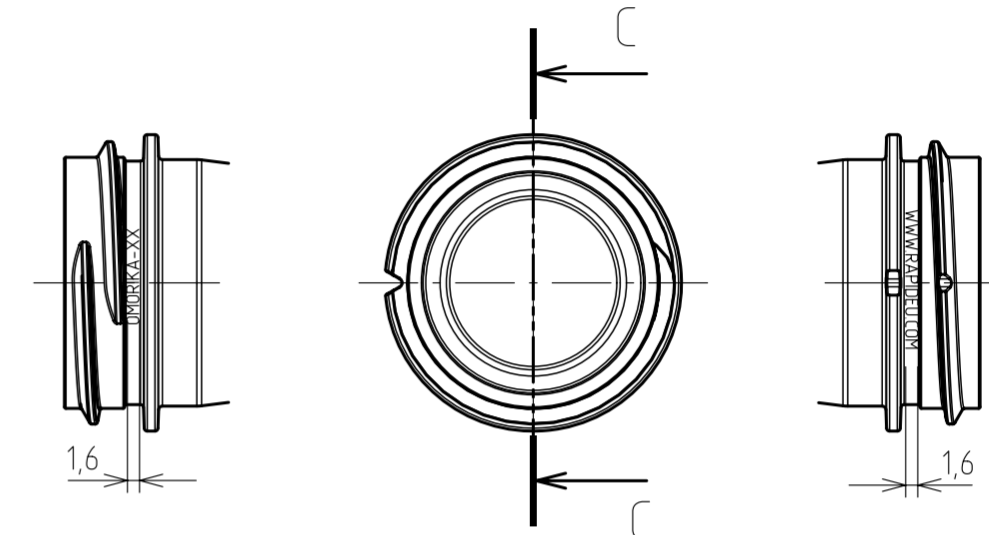
SECTION C-C SCALE 2:1

XX = Cavity Number

OMORIKA-XX

WWW.RAPIDEU.COM

Customer Logo Scale 2:1



NOTES:

- 1) NECK FINISH WEIGHT 4,5g
- 2) THE FINISH COMPLY WITH SIPA DRWG N000083\_36
- 3) DENSITY FOR WEIGHT CALCULATION 1,335g/cm<sup>3</sup>
- 4) IP = INTERSECTION POINT

|   |   |   |
|---|---|---|
| DESCRIPTION:<br>38mm NECK FINISH<br>46,0g PREFORM | SCALE:<br>  | NOTES:  |
|   | MATERIAL:<br>PET  |   |
|   | DATE: 05-Jun-2020<br>DRAWN: Manunta,M<br>CHECKED: Manunta,M<br>APPROVED: Pizzinat,T |   |
|   |   | DRAWING N°:<br>PN006287_04  |
|   |   | Each modification must be communicated and approved in written form by SIPA SpA |

CONFIDENTIAL