

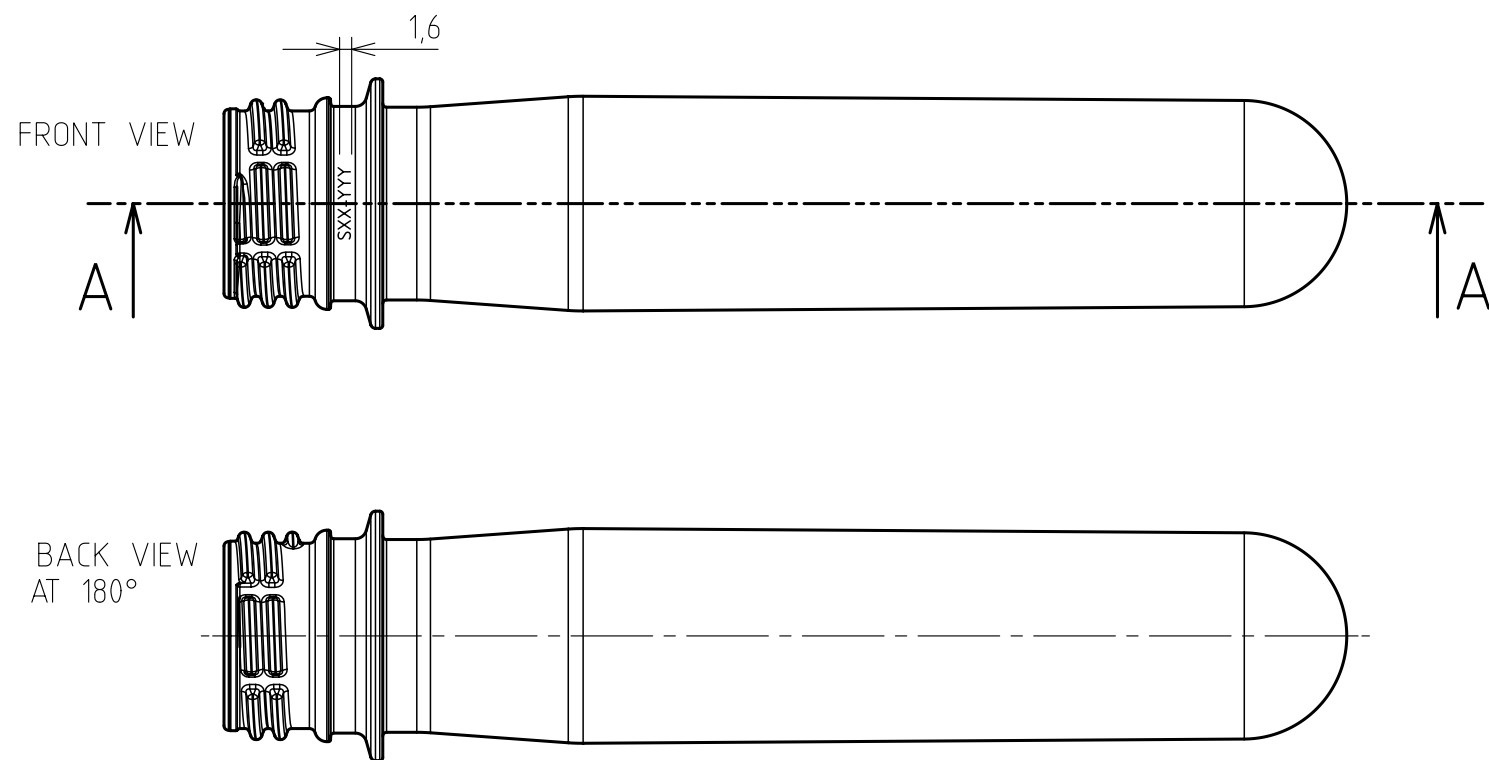
SECTION A-A
SCALE 2:1

YYY= Production Lot Number

XX = Cavity Number

SXX-YYY

Customer Logo Scale 2:1



NOTES:

- 1) NECK FINISH WEIGHT 5,0 g
- 2) THE FINISH COMPLY WITH SIPA DRWG. N00013_93
- 3) DENSITY FOR WEIGHT CALCULATION 1,335 g/cm³

DESCRIPTION: 28mm ALCOA PCO BPF/D NECK FINISH VER.93 52,0g PREFORM		NOTES:
	SCALE: 1:1 (2:1)	
	MATERIAL: SIPA PET	
THIS DRAWING IS PROPERTY OF SIPA S.p.A. AND IS NOT TO BE USED OR REPRODUCED BY UNAUTHORIZED PERSONS		
PLASTIC PACKAGING SYSTEM VITTORIO VENETO (TV) - ITALY -	Date: 01/04/2008 Drawn: G. BOVA Checked: L. MANTOVANI Approved: L. MANTOVANI	DRAWING N°: PN001226_00