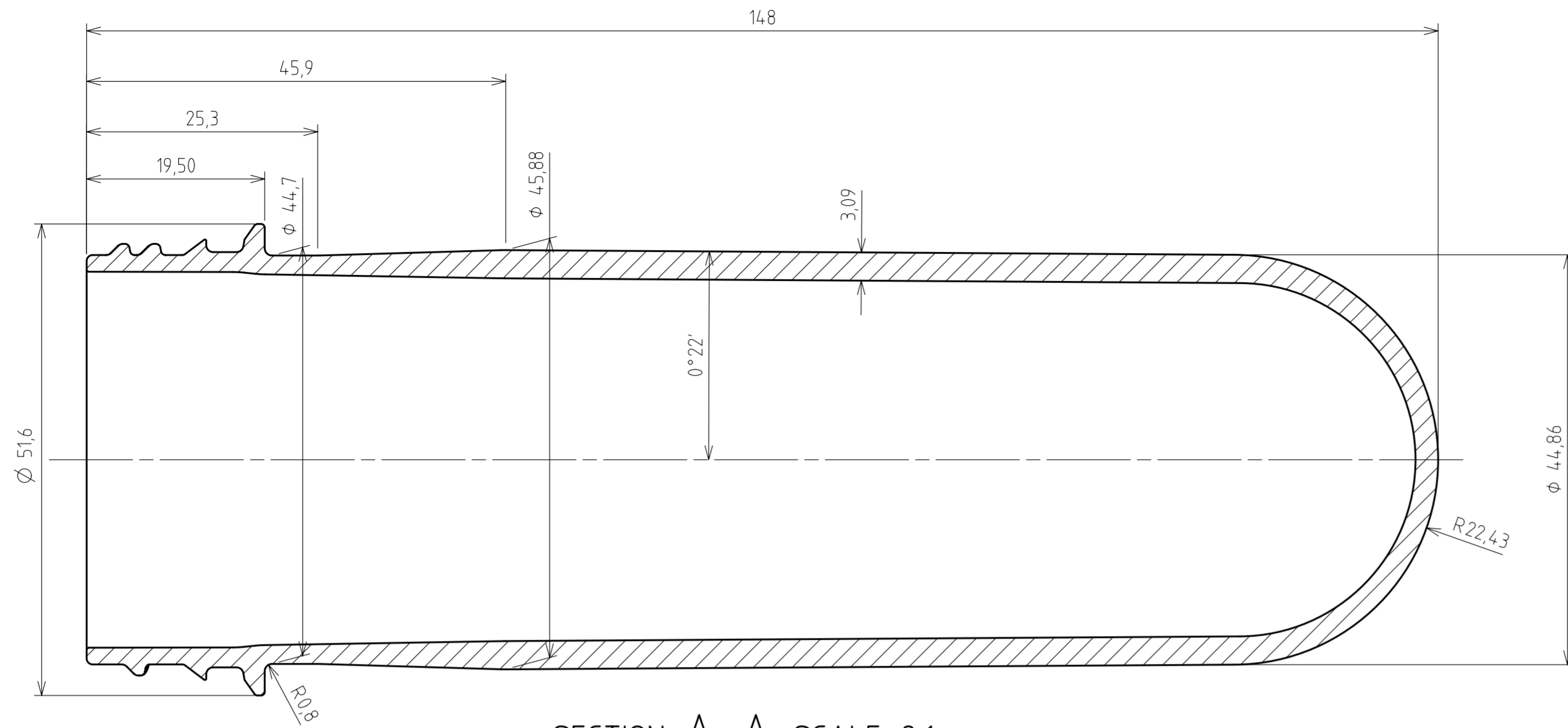
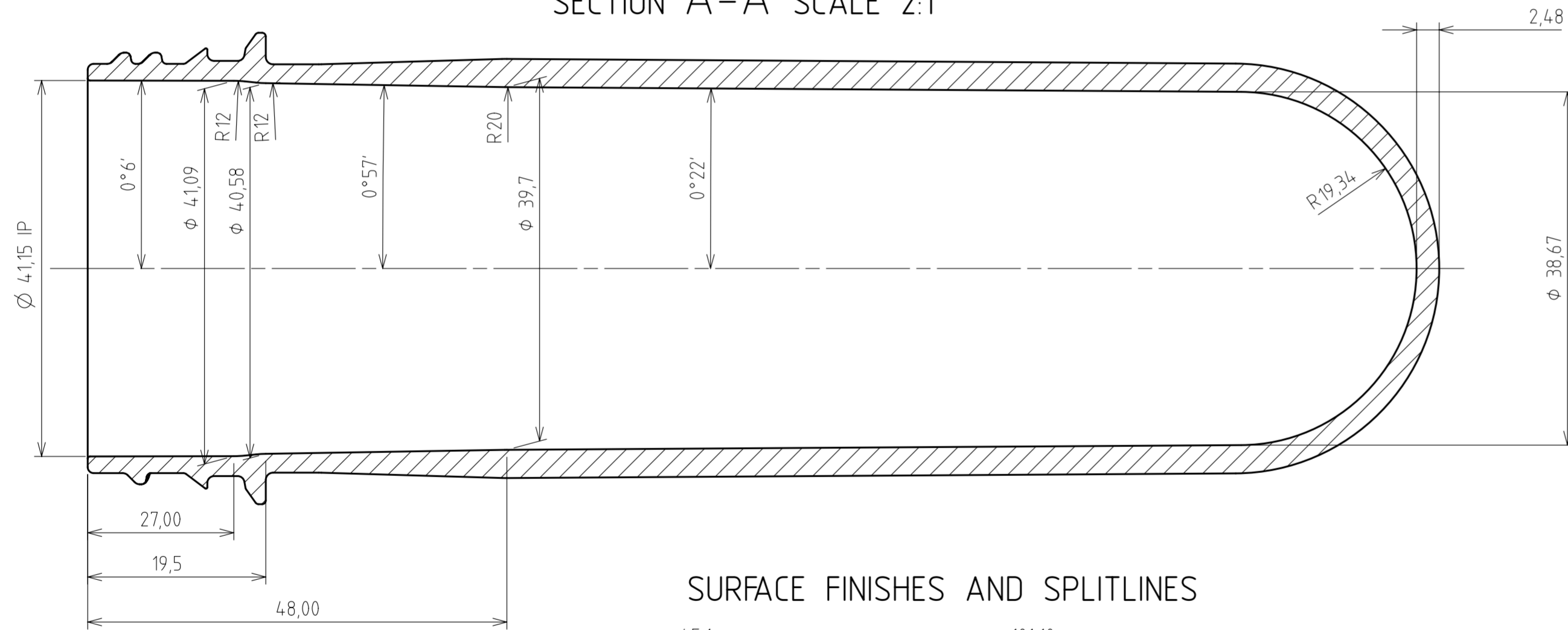


CAVITY SIDE

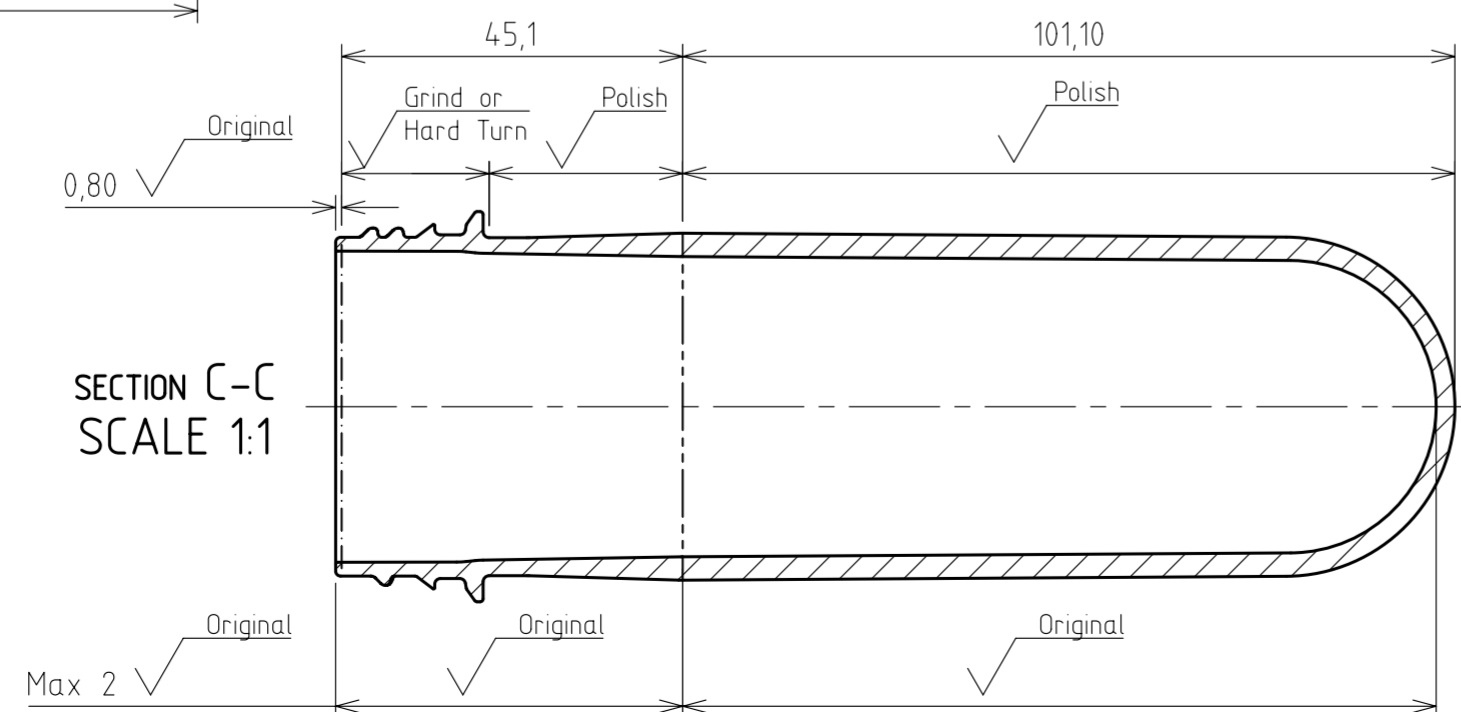


SECTION A-A SCALE 2:1

CORE SIDE



SURFACE FINISHES AND SPLITLEINES



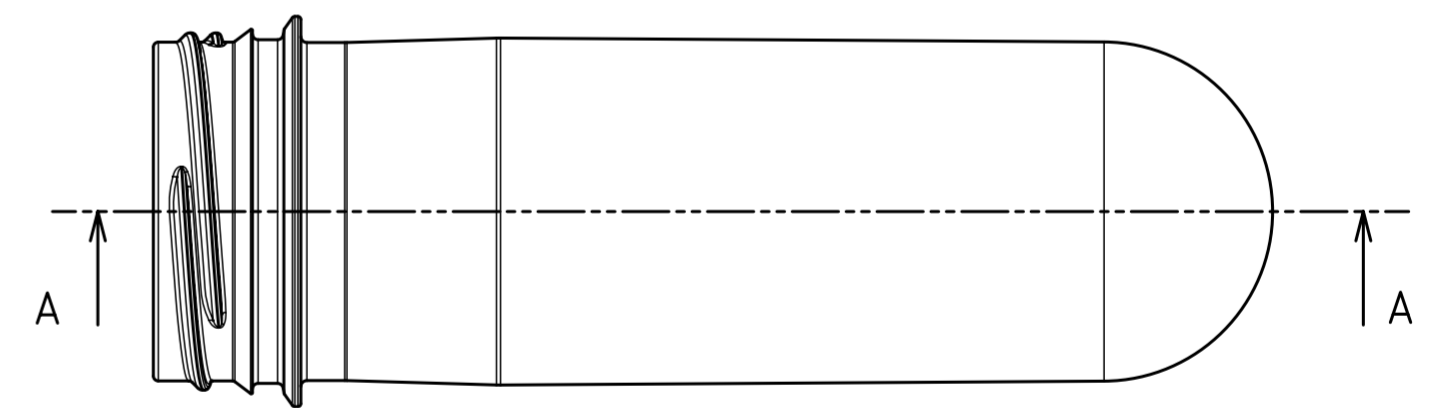
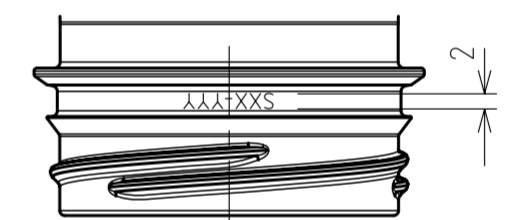
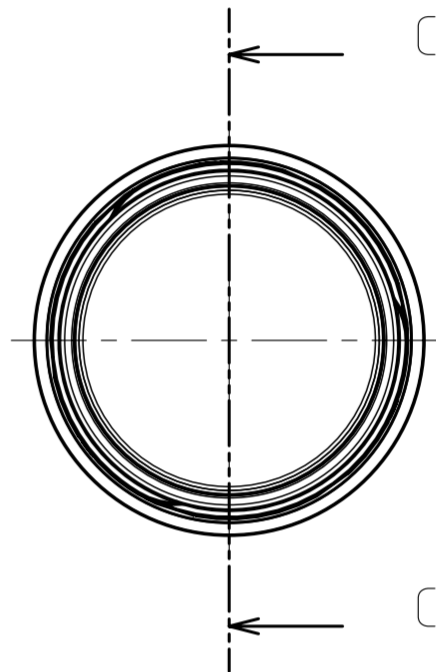
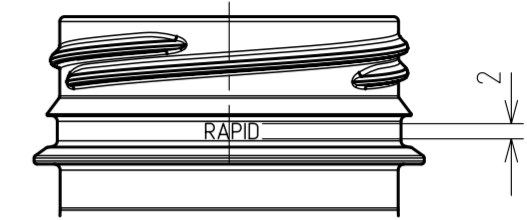
SECTION C-C SCALE 1:1

YYY = Production Lot Number
XX = Cavity Number

RAPID

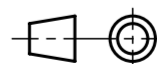

SXX-YYY

Customer Logo Scale 2:1



NOTES:

- 1) NECK FINISH WEIGHT 9,0 g
- 2) THE FINISH COMPLY WITH DRWG. 31.3.88.000
- 3) DENSITY FOR WEIGHT CALCULATION 1,335 g/cm³

DESCRIPTION: 48mm BERICAP NECK FINISH 75,0g PREFORM	 SCALE:  MATERIAL: PET	NOTES:	
		Date: 19/09/2017 Drawn: M. DALLA LIBERA Checked: T. PIZZINAT Approved: D. ZANETTE	DRAWING N°: PN004850_00
		