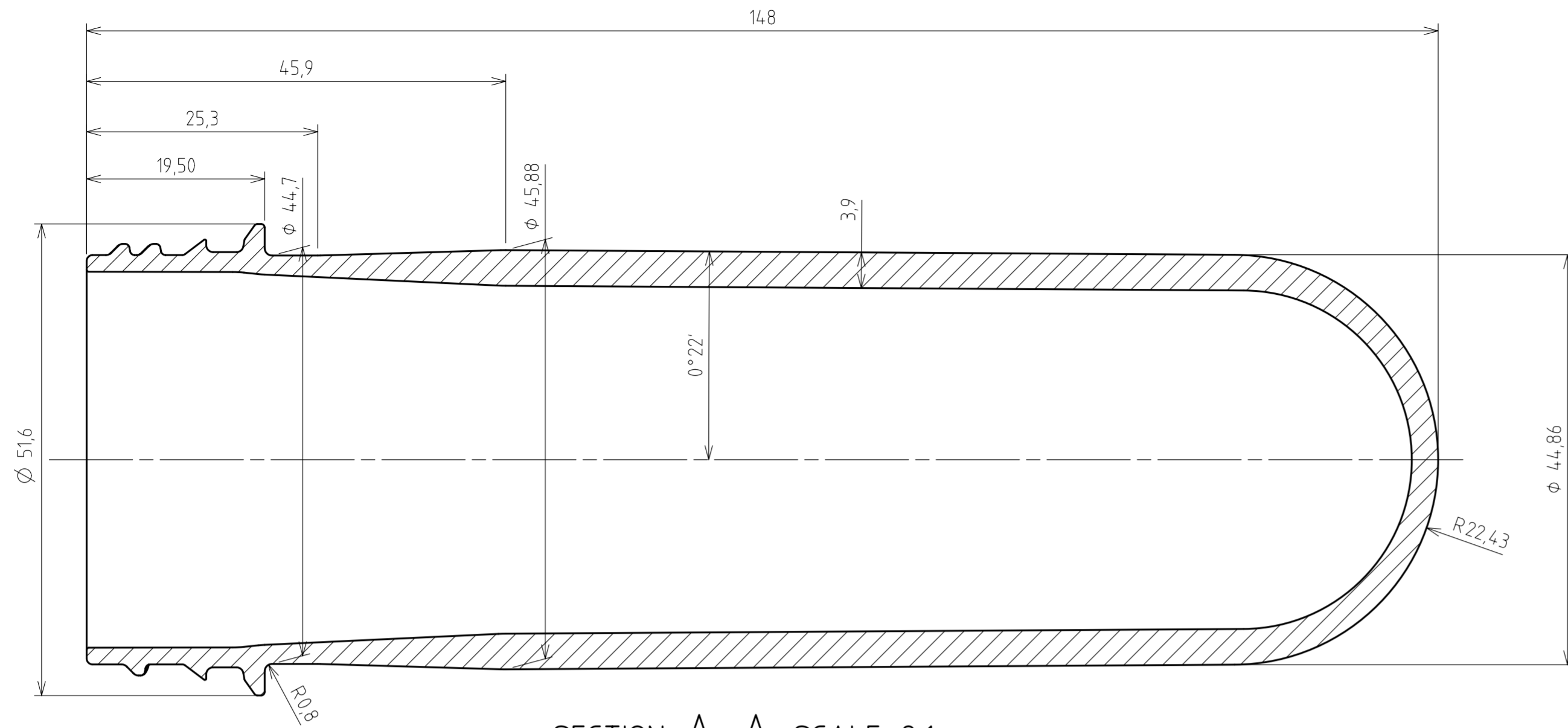
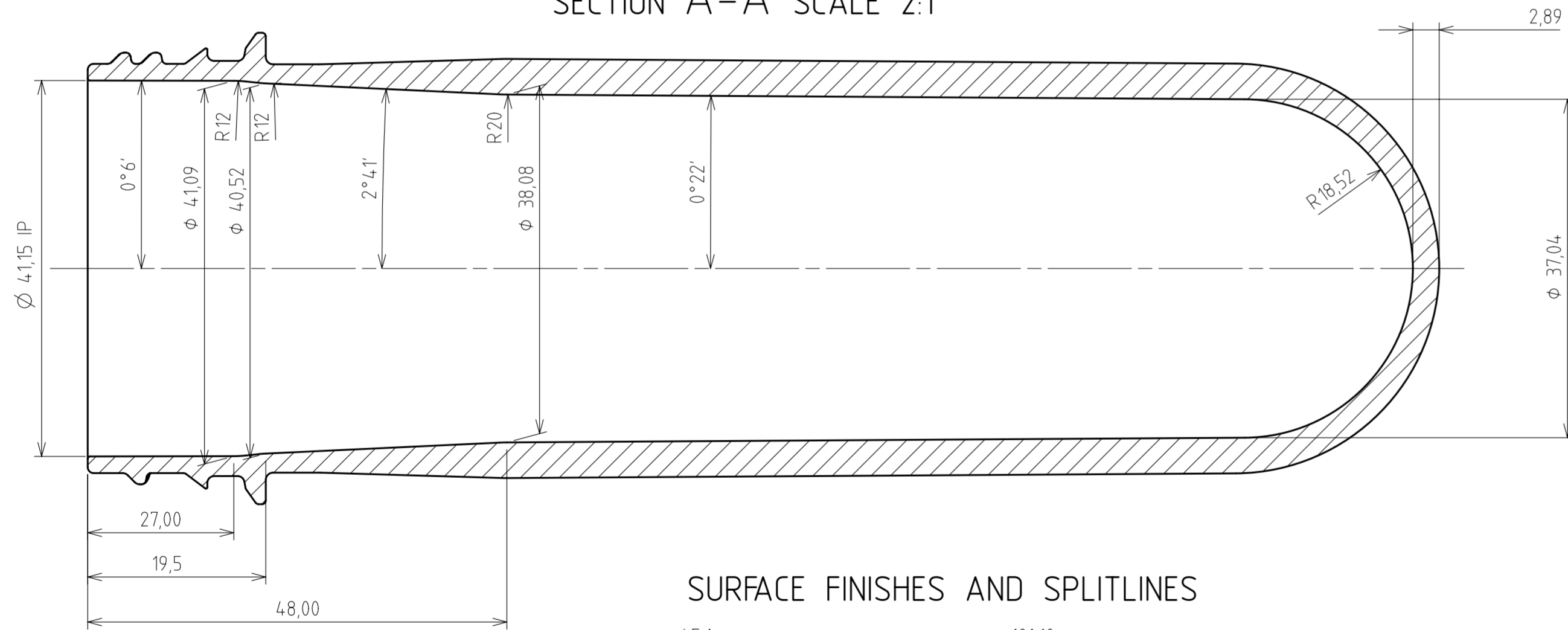


CAVITY SIDE

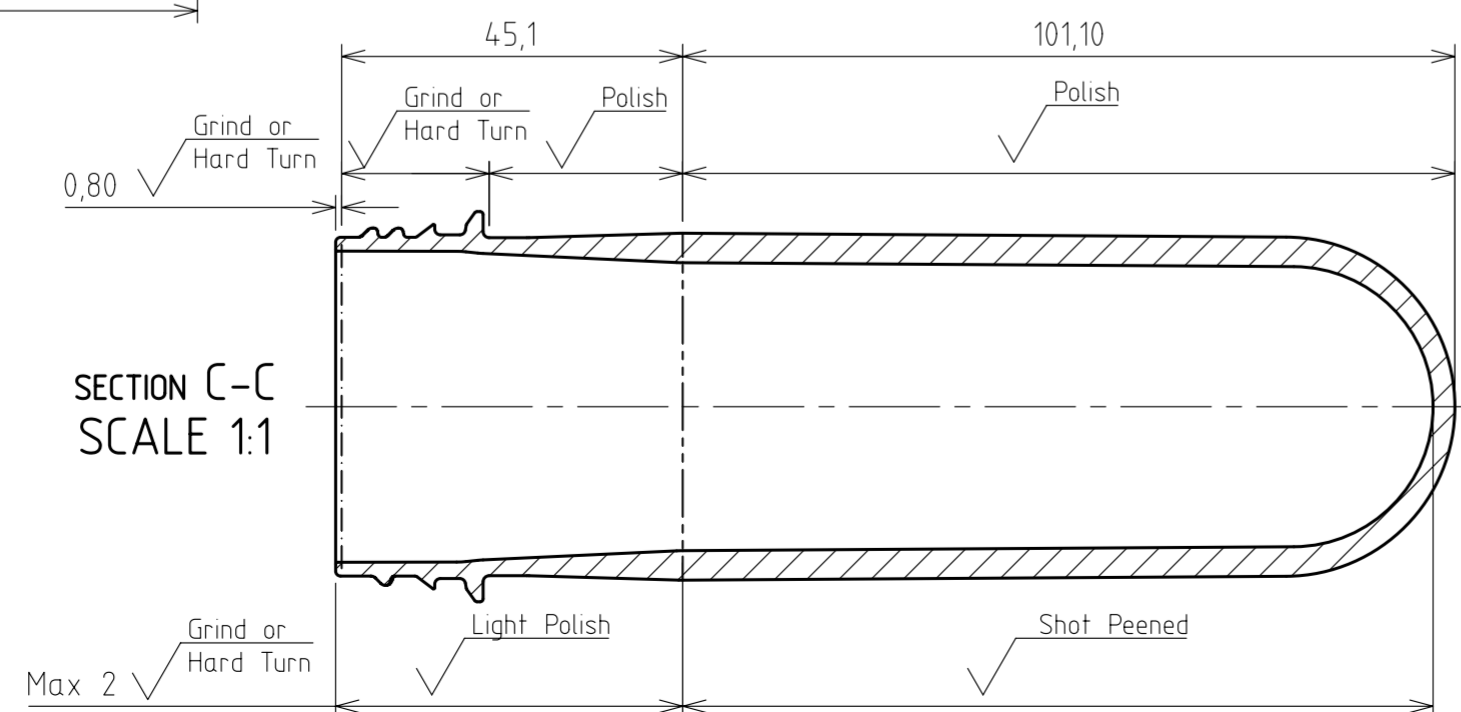


SECTION A-A SCALE 2:1

CORE SIDE



SURFACE FINISHES AND SPLITLEINES



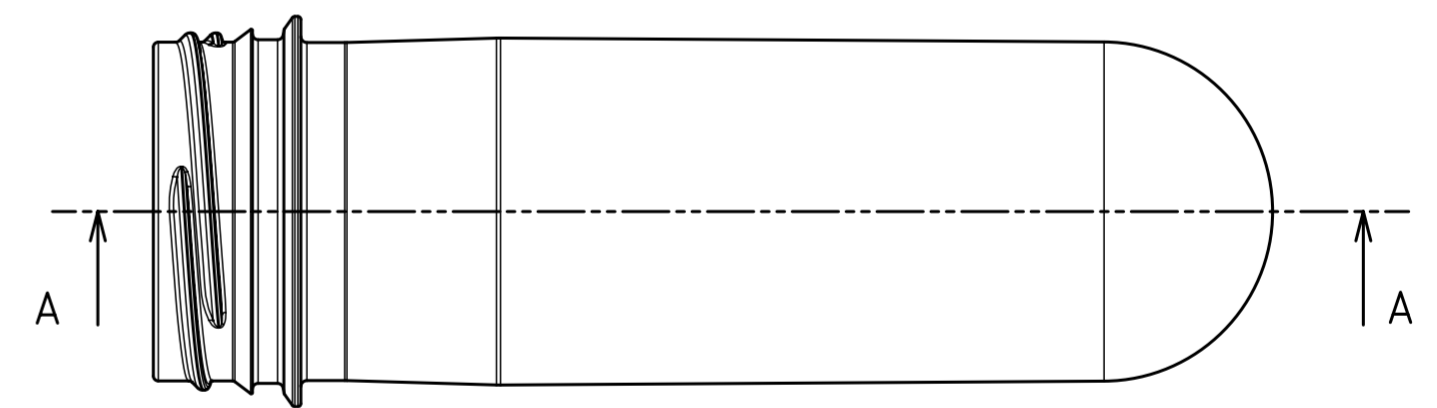
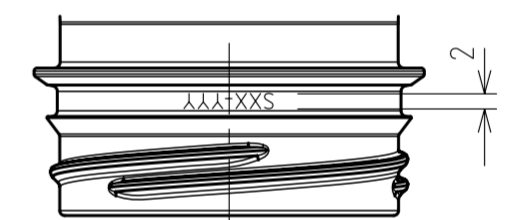
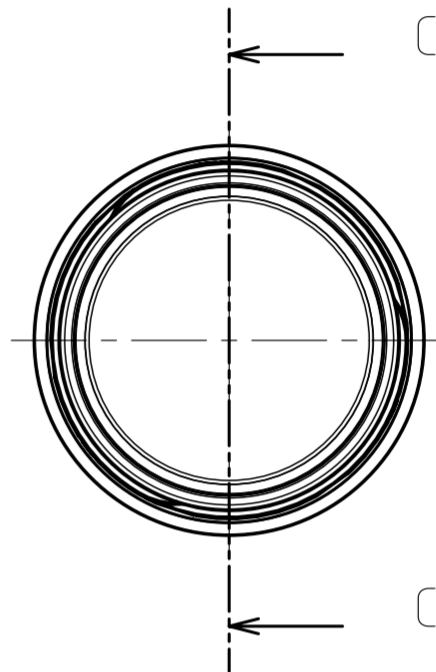
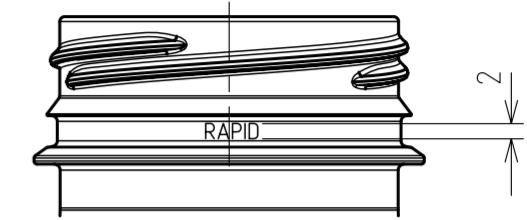
SECTION C-C SCALE 1:1

YYY = Production Lot Number  
XX = Cavity Number

RAPID

SXX-YYY

Customer Logo Scale 2:1



NOTES:

- 1) NECK FINISH WEIGHT 9,0 g
- 2) THE FINISH COMPLY WITH DRWG. 31.3.88.000
- 3) DENSITY FOR WEIGHT CALCULATION 1,335 g/cm<sup>3</sup>

DESCRIPTION: 48mm BERICAP NECK FINISH 89,2g PREFORM	SCALE: <b>1:1</b>	NOTES:
	MATERIAL: PET	
	DATE: 19/09/2017	
<b>SIPA</b>	Drawn: M. DALLA LIBERA	DRAWING N°:
	Checked: T. PIZZINAT	PN004855_00
	Approved: D. ZANETTE	