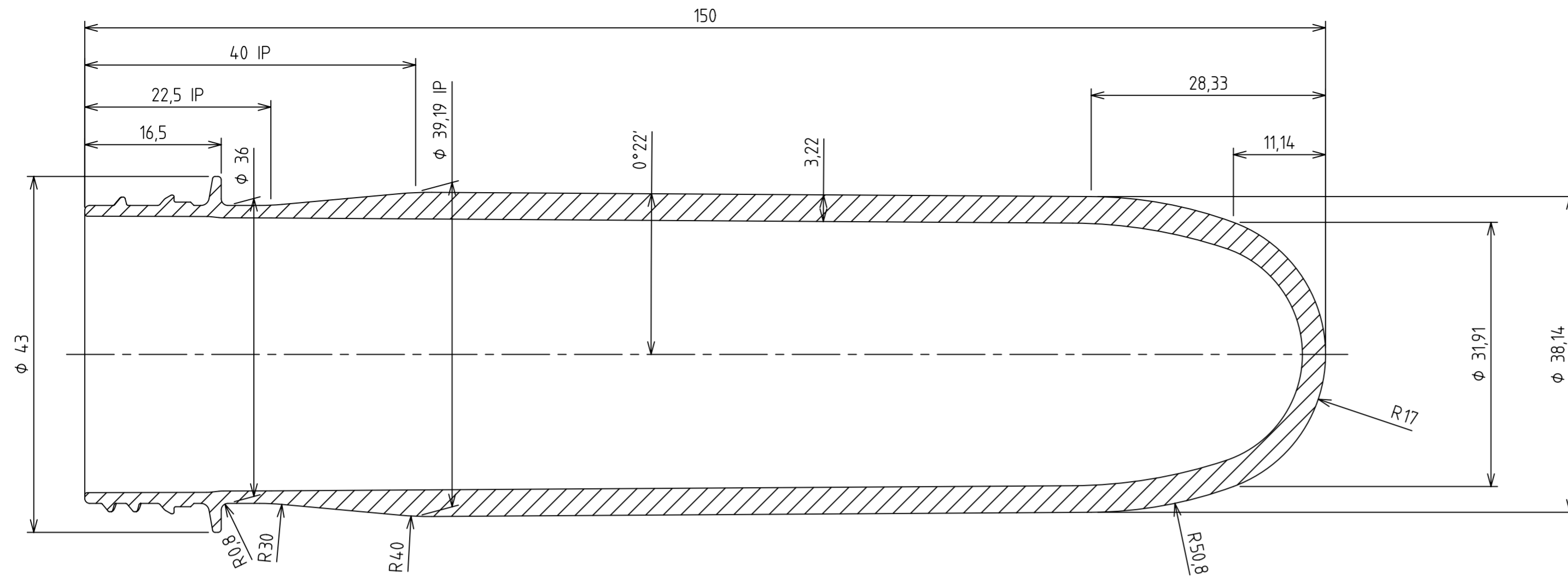
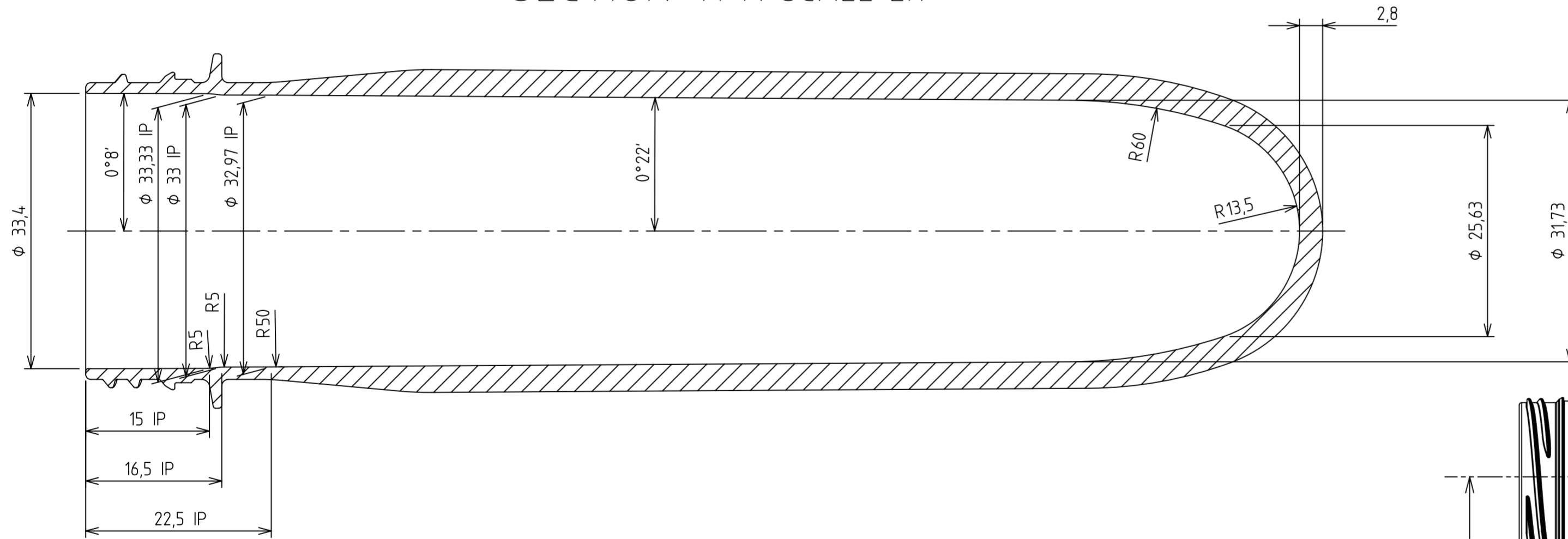


CAVITY SIDE

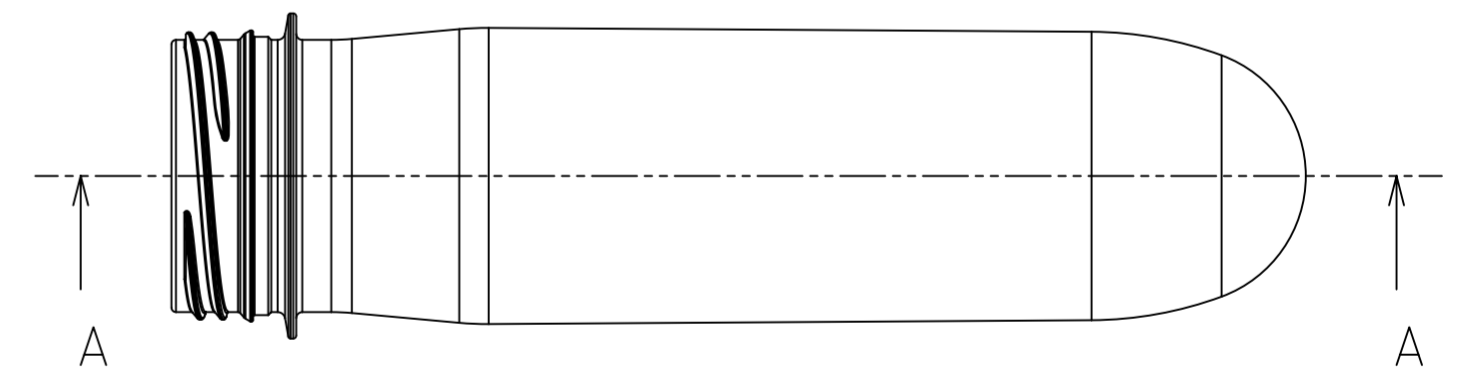
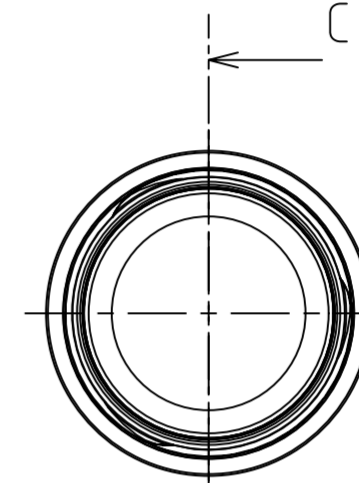
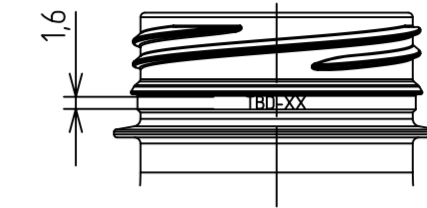


SECTION A-A SCALE 2:1

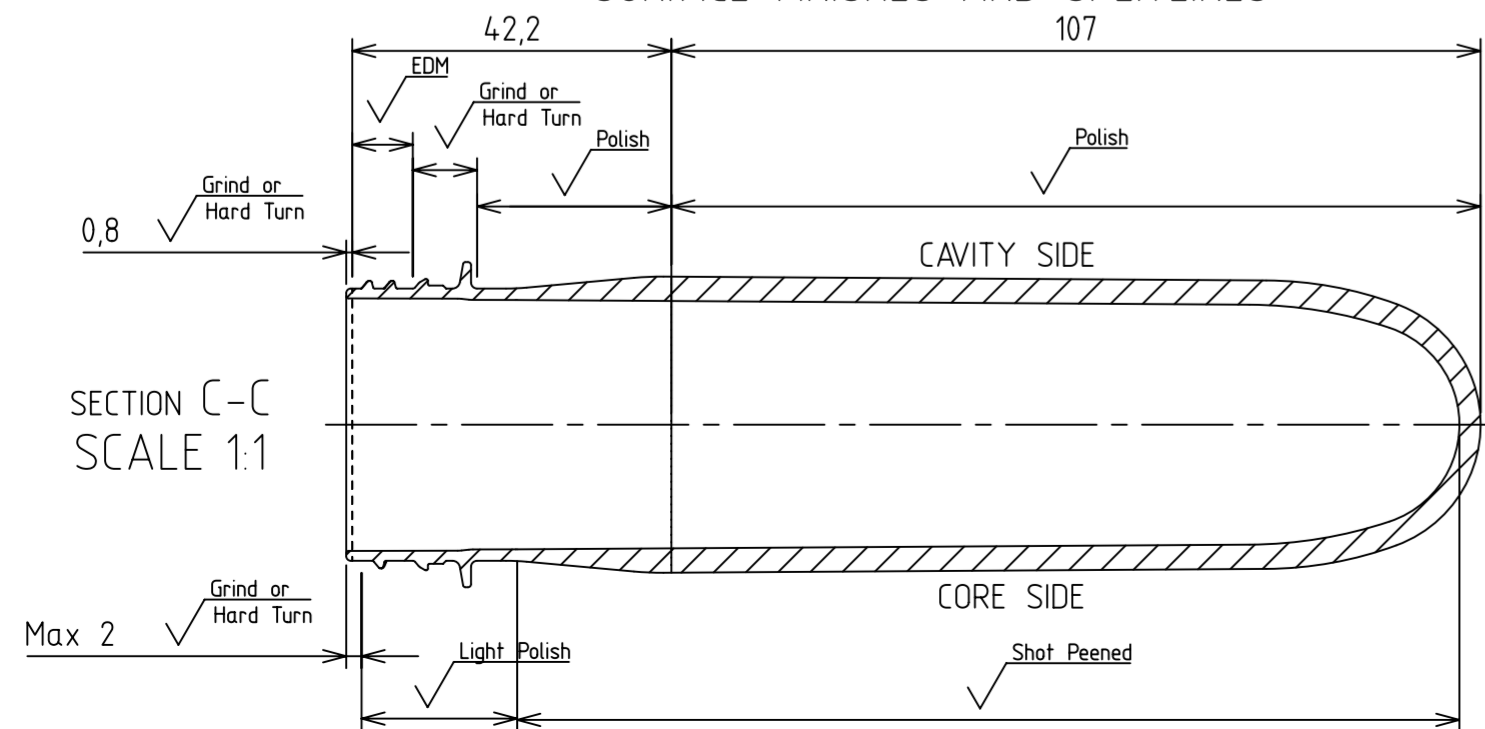
CORE SIDE



XX = Cavity Number
TBD-XX
Customer Logo Scale 2:1



SURFACE FINISHES AND SPLITLINES



NOTES:

- 1) NECK FINISH WEIGHT 4,5g
- 2) THE FINISH COMPLY WITH DWG: 312.96.004
- 3) DENSITY FOR WEIGHT CALCULATION 1,335g/cm³
- 4) IP = INTERSECTION POINT

DESCRIPTION: 38mm BERICAP NECK FINISH 63,0g PREFORM	SCALE: 1:1	NOTES:
	MATERIAL: PET	
	DATE: 27-Jan-2021 DRAWN: Dalla Libera, M. CHECKED: Manunta, M. APPROVED: Pizzinat, T.	
DRAWING N°: PN006884_00		

CONFIDENTIAL



Each modification must be communicated and approved in written form by SIPA SpA.