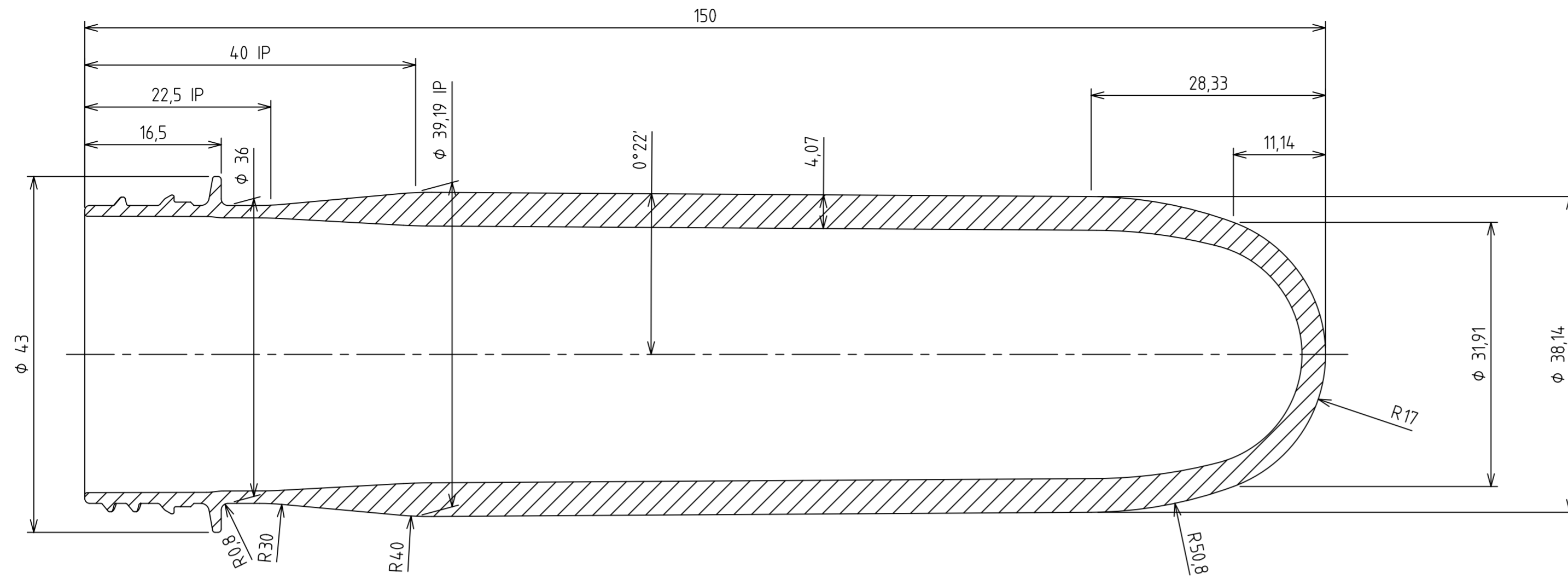
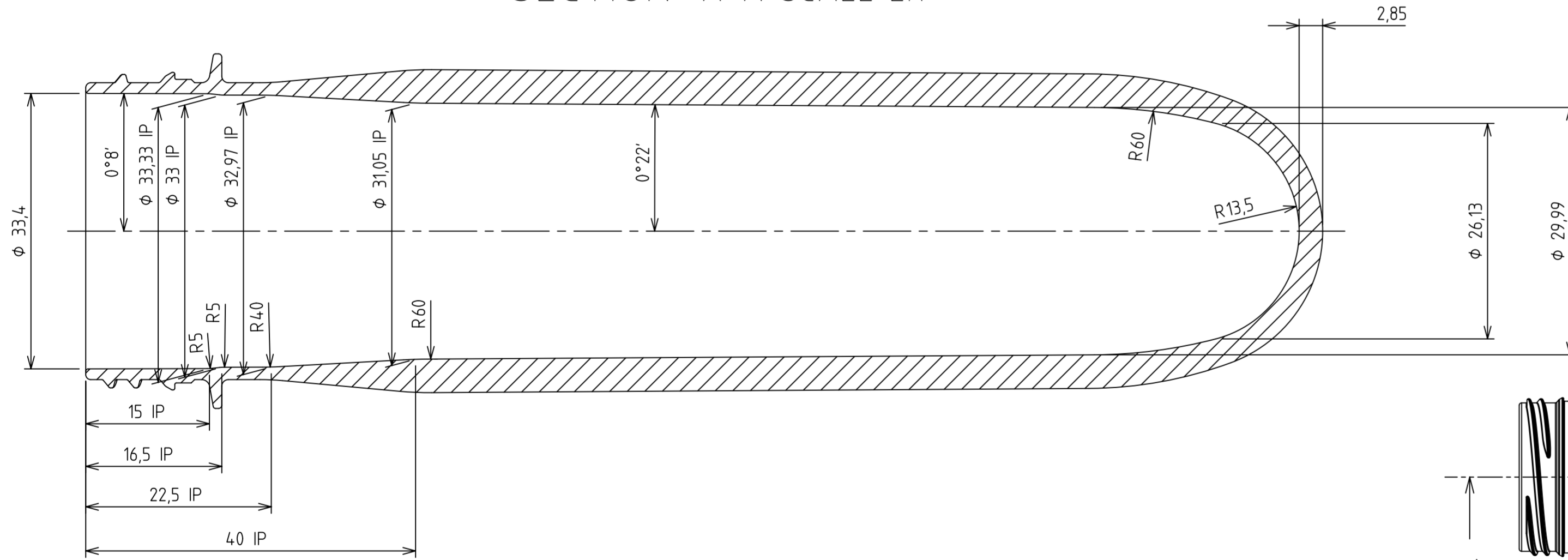


CAVITY SIDE

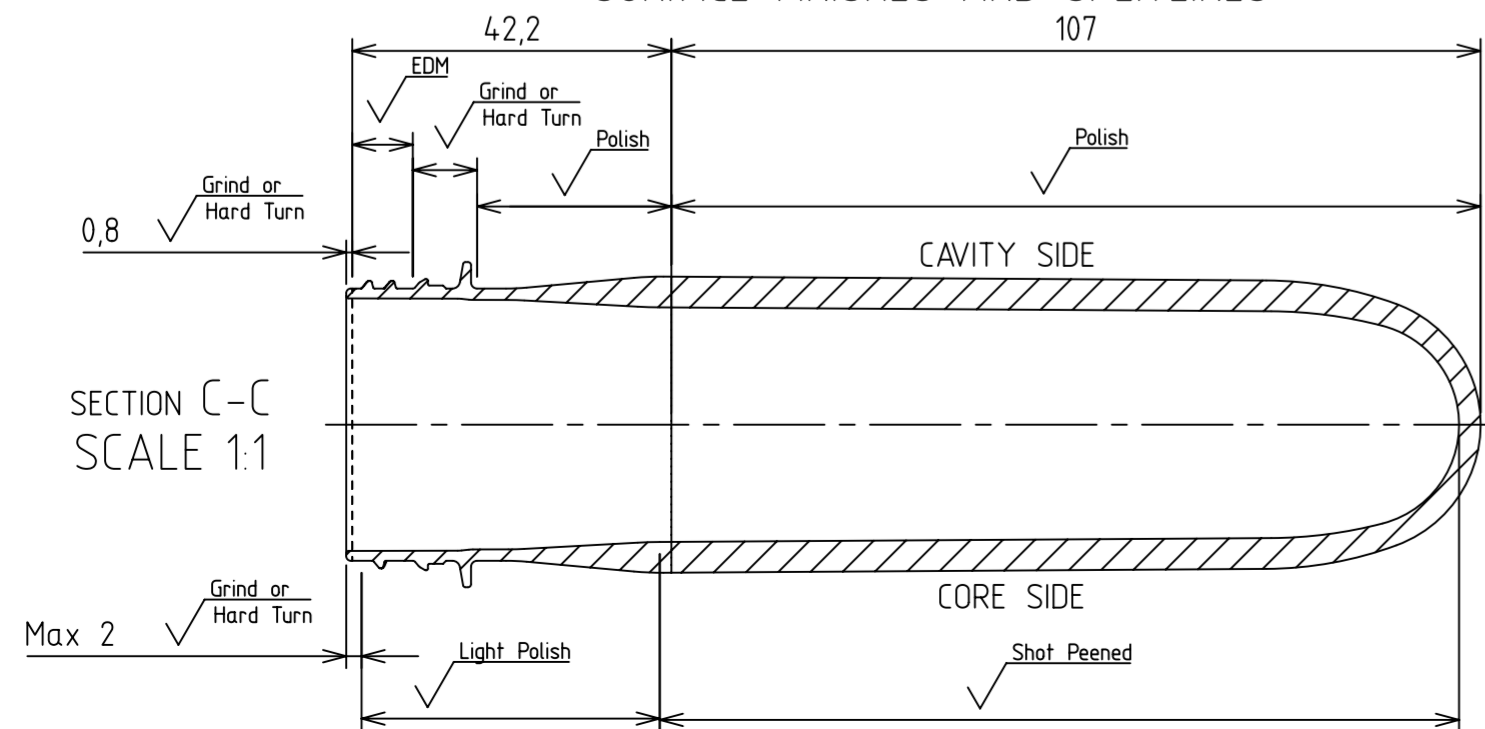


SECTION A-A SCALE 2:1

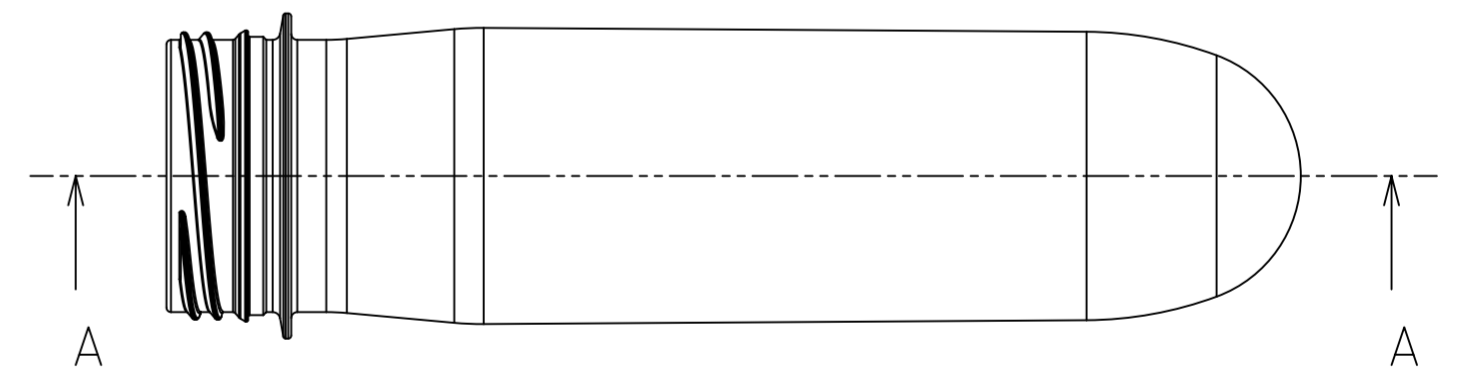
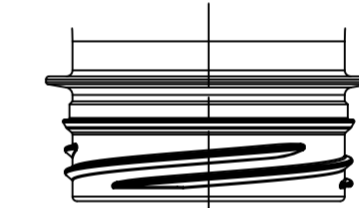
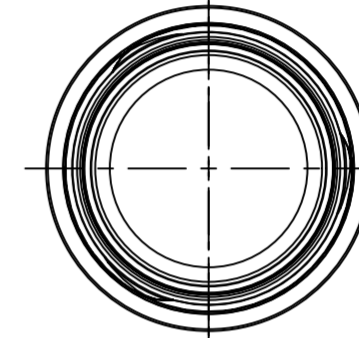
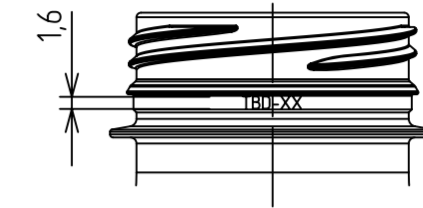
CORE SIDE



SURFACE FINISHES AND SPLITLINES



XX = Cavity Number  
TBD-XX  
Customer Logo Scale 2:1



NOTES:

- 1) NECK FINISH WEIGHT 4,5g
- 2) THE FINISH COMPLY WITH DWG: 312.96.004
- 3) DENSITY FOR WEIGHT CALCULATION 1,335g/cm<sup>3</sup>
- 4) IP = INTERSECTION POINT

DESCRIPTION: 38mm BERICAP NECK FINISH 74,0g PREFORM		NOTES:
	SCALE: <b>1:1</b>	
	MATERIAL: PET	
<b>SIPA</b>		Date: 27-Jan-2021 Drawn: Dalla Libera, M. Checked: Manunta, M. Approved: Pizzinat, T.
CONFIDENTIAL		DRAWING N°: PN006888_00