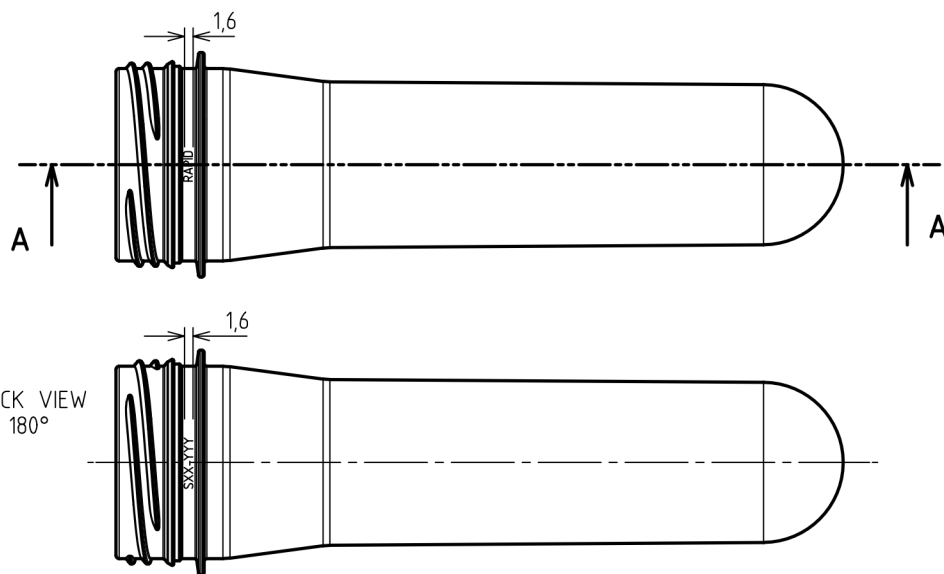


SECTION A-A
SCALE 2:1

YYY = Production Lot Number
XX = Cavity Number

RAPID **SXX-YYY**

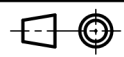

Customer Logo Scale 2:1



BACK VIEW
AT 180°

NOTES:

- 1) NECK FINISH WEIGHT 4,3 g
- 2) THE FINISH COMPLY WITH SIPA DRWG. 31.2.96.017
- 3) DENSITY FOR WEIGHT CALCULATION 1,335 g/cm³

DESCRIPTION: 38 mm BERICAP VER. 017 NECK FINISH 52,0g PREFORM		NOTES:
	SCALE: 1:1 (2:1)	
	MATERIAL: SIPA PET	
THIS DRAWING IS PROPERTY OF SIPA S.p.A. AND IS NOT TO BE USED OR REPRODUCED BY UNAUTHORIZED PERSONS		
	PLASTIC PACKAGING SYSTEM VITTORIO VENETO (TV) - ITALY	Date: 10/072006 Drawn: A. TUROLO Checked: L. MANTOVANI Approved: L. MANTOVANI
		DRAWING N°: PN000624_03